

# WHYTE

PERFORMANCE BY DESIGN



# 2012 CONTENTS

RESEARCH AND DEVELOPMENT	PAGES 7-8
MATERIALS	PAGES 9-10
CARBON TECHNOLOGY	PAGES 11-12
RACING	PAGES 13-14
FULL SUSPENSION	PAGES 15-28
QUAD-LINK II	PAGES 17-18
WHYTE TRAIL HARDTAILS	PAGES 29-34
WHYTE 19 DROPOUT/ GETTA GRIP	PAGES 35-36
WHYTE 905/WHYTE 901	PAGES 39-40
WHYTE 20-C CARBON	PAGES 41-46
WHYTE 29-C CARBON	PAGES 47-50
X-8: PERFORMANCE XC HARDTAIL	PAGES 51-58
C7: ALL TERRAIN	PAGES 59-66
CROSS: ALL TERRAIN	PAGES 67-72
R7: FAST URBAN	PAGES 73-78
GEOMETRY SPECIFICATIONS	PAGES 79-90







**WHYTE**  
DESIGNED IN THE UK

WHYTE AIR DESIGN

CROSS MARK



# WHYTE

Designed in the UK - and test ridden on the UK's toughest trails to ensure the perfect ride.

More than a decade of insistent innovation and cutting edge development. Bike test awards and rave reviews on an annual basis. Something we're very proud of here at Whyte and the reason you'll never find us resting on our laurels.

Pushing the accepted performance limits is our constant goal and having a small and streamlined design team makes us fast on our feet and uniquely responsive to rider demands and new technological opportunities. It means we build the bikes we all want to ride, not the ones accountants and marketing departments would tell us to.

So while our 2012 line is the biggest Whyte family ever we've lost none of that crucial focus. Our bikes still handle better, last longer and cope with the UK's uniquely challenging riding demands more easily than any others. It's just that now, even more riders like you – and like us – can find their perfect bike in our range.



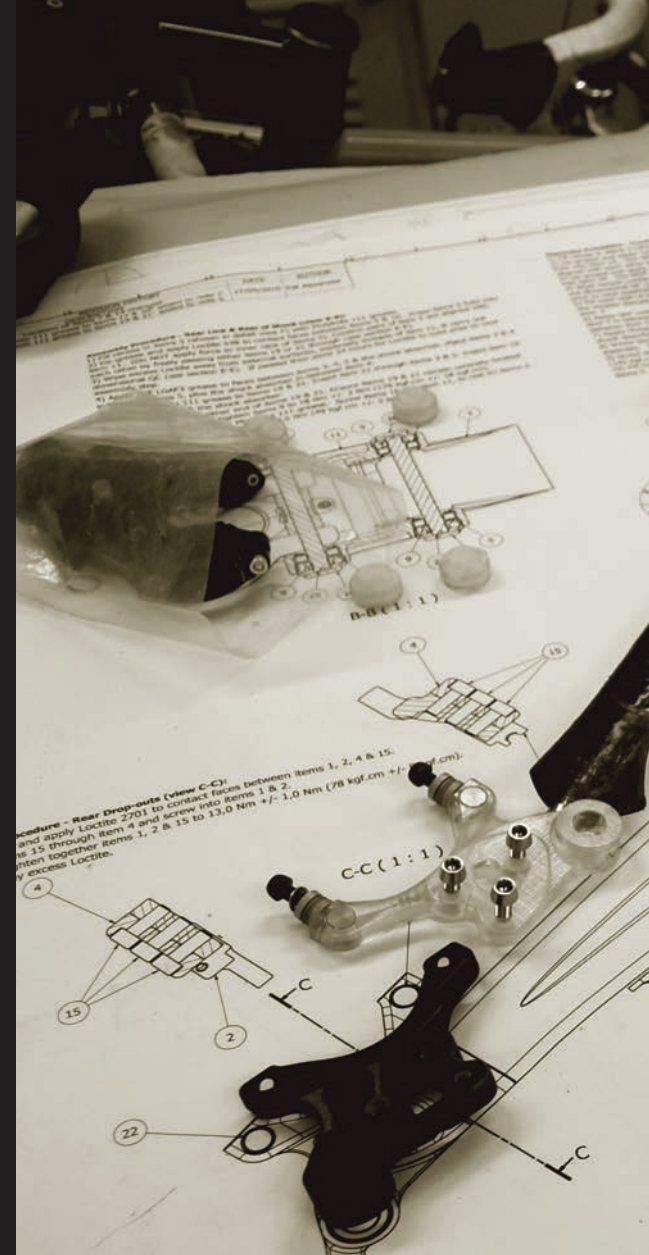
# RESEARCH AND DEVELOPMENT

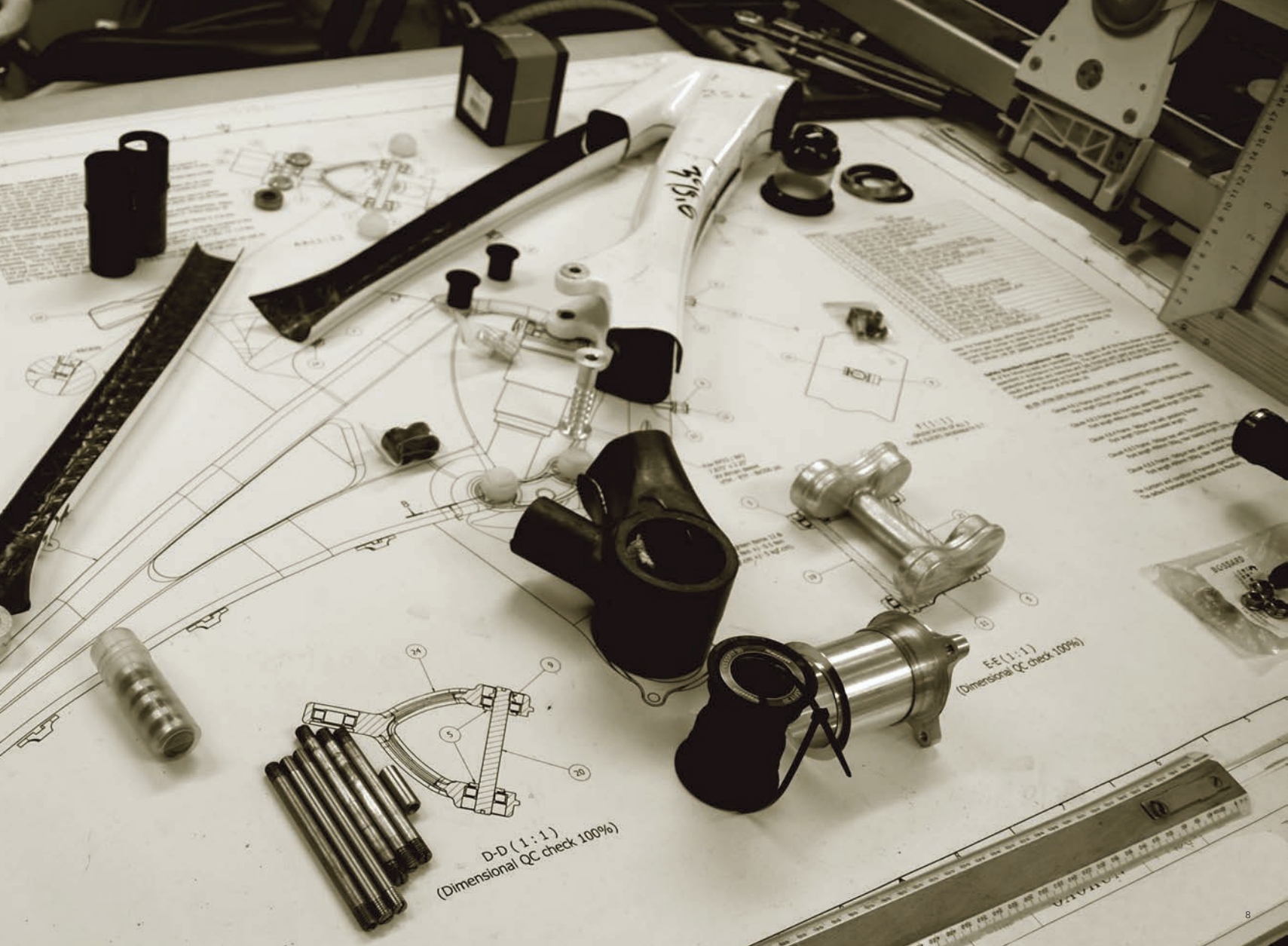
## PERFORMANCE BY DESIGN

Our R&D address might be in the Cotswolds, but our real test facilities are city streets and mountain trails all over the world.

We work out multi piece carbon lay ups through riding countless laps of Welsh trail centres but have them verified by our race team as far away as the dry riverbeds of Botswana. Our geometry is fractionally exact because we know it makes us faster and gives us more control, not because we've taken an average of what others have done. We confidently put a lifetime warranty on our suspension bearings, because we grind them through the same grit and grime you have to for thousands of hours a year. A CAD machine might make the final rendering, but that big lever on our unique seat clamp is there because we got sick of trying to shut a normal one with frozen fingers. We know the addition of Crud Catcher mounts to our mountain bike frames is a significant one for all of us, because it means our eyes sting less after our lunchtime ride and our tea isn't washing grit off our teeth.

We could go on, but you get the idea. Whyte are genuinely a small group of dedicated UK riders, determined to produce the best bikes we can and not afraid to break some rules and set some benchmarks along the way.





D-D (1:1)  
(Dimensional QC check 100%)

EE (1:1)  
(Dimensional QC check 100%)

# MATERIALS

CAREFULLY SELECTED FOR OPTIMUM PERFORMANCE

We make frames from Aluminium, Titanium, Steel and Carbon Fibre as each of these materials have their own specific properties and their own particular ride characteristics.

Whether we are looking to create the super-stiff structure required for a full suspension bike or the lively and compliant ride that characterises a top quality steel frame, all the materials we use must have one thing in common - they have to be the best. Only then can we be sure we are achieving the best possible combination of strength and light weight and that the resulting frame will achieve the benchmark performance required by us and our customers.



## TITANIUM

Titanium has what many believe to be the most sublime ride characteristics of any frame material so when we set out to design a Ti Hardtail, we knew it had to be special.

As with our eponymous aluminium Whyte 19, the UK designed titanium Whyte 19 Ti features exciting technology from the outset, and some elegant tube shapes too. We chose to couple a classic looking tubeset in cold worked 3AL-2.5V titanium with a simple and elegant seat stay design that does away with unnecessary welding and enhances the ride comfort and feel inherent in titanium, still further. Using longer, uninterrupted and curving tubes for the seat stays allows more trail feedback to disperse through the chassis and adds comfort compared with shorter tubes joined with unnecessary welds that are more commonly used in monostay designs. We also include the latest Press Fit 30 bottom bracket technology for lightweight additional stiffness, with long bearing life and finally our celebrated 19 dropout, allowing geometry adjustment and even hassle-free conversion to singlespeed transmission. Combining this technology with our very latest 19 Trail bike geometry and designed from the start for a 120mm travel fork, we have a lightweight responsive ride, with that legendary ride "feel" that only titanium can offer.



## STEEL

For the ultimate steel frame we went straight to the masters of steel tubing technology – Reynolds. Manufacturing butted tubing for bicycle frames in the UK since 1898, and still producing the high end tube sets like 631 in Birmingham, as they have for 110 years, Reynolds still push the boundaries of what is possible with steel like no other manufacturer.

Why 631? As we designed the frame for the steel Whyte, we were clear on a few essentials; the frame must be strong, light and stiff but still have that essential compliant and lively ride we expect from steel. It must also exceed CEN test standards (as all frames in the Whyte range do). 631 met all this criteria perfectly, and actually even exceeded 853 in back to back ride testing when we were trialing various prototypes to find the optimum ride feel – especially when combined with the classic and elegant compound bend rear stays we first used on the 19 Titanium.



## ALUMINIUM

For our aluminium trail frames, we use perhaps the ultimate refinement of aluminium alloy frame materials - specifically developed for use in hydro-forming and welded frame construction. Our selection of premium 6061 grades of aluminium allows us to use tubes of thinner wall section. This translates into thinner tube butting profiles over the entire length of the tubes and means that for the same strength, stiffness and fatigue characteristics we can engineer a lighter chassis.

Whyte hydro-formed aluminium frame designs concentrate on designing the best most efficient shapes for the chassis. Our seatstays and chainstays have extensive shaping and tapering to increase strength and stiffness generating volume where it's needed, providing maximum mud clearance at key areas of the frame, as well as producing a frame that has a clean and elegant overall design profile. The hydro-forming design and production process gives us the best results in achieving the tough design criteria set out by the Whyte design team.

# WHYTE CARBON TECHNOLOGY

AS FEATURED ON THE WHYTE 146, T-120 AND 20C

The performance of any carbon fibre component relies on three things - the quality of the raw material, the integrity of the design and the precision of the assembly. That's why at Whyte, we take complete control of the design process and then work closely with the world's best carbon manufacturers to bring our designs to life.

This close working relationship also means we can develop special combinations of filament grades and resin types to give our carbon frames a genuine performance advantage that others can't match, combined with reliable performance you can trust.





WHYTE  
CARBON TECHNOLOGY







# WHYTE RACING

PERFORMANCE BY DESIGN



Anyone can throw their shirt on the latest shaven legged wonder and win some races. We prefer our athletic ambassadors to be a little more real though. OK, so the speed under 23 whippet Billy Whenman and global racer Luke Smith will come past you is scarcely believable. The relentless hour-after-hour velocity of multiple Enduro, Polaris and TransWales winner Steve Heading isn't good for others egos either. Their performance and passion is both an inspiration and an ideal development tool for us though.


These racers all clock up their victories and rack up training miles on proper tough technical trails and courses. They live and thrive in conditions where there is no place for compromise, second best or even a day off. An environment where several seconds gained on a descent repeated thirty times in 24 hrs are worth far, far more than a few shaved grams. Where consistently surefooted traction and rock solid power transfer enable you to clean climbs all the way to the top of a podium as effectively as they do in the Peak District. It's the reason our geometry is radically different from others default XC templates, which haven't changed since Flex Stems and fat tyres were the only suspension. Why we know an extra 20mm of travel can mean an extra 200m gained through every technical singletrack.

In other words we support racing that is relevant and gritty not just because we respect it more. We also do it because the trophies we win translate directly to you going further, faster and having more fun every time you ride. The durable and lightweight frames we produce have a relaxed race geometry which enables our athletes to hammer technical trails, sit in for long climbs and sprint with ease. Racers have relied on the traction and immediate power transfer our designs deliver and have the results to prove it. They have powered fire roads, cleaned technical climbs and descended with precision. From his Under 23 Enduro Championship win to his amazing victory on the punishing steps of Paris, Whyte racer Billy Whenman pushes himself and his machinery harder and faster - and is an invaluable part of our development and testing process.







The background is a blurred, high-speed shot of a forest, with green and yellow light trails suggesting motion. In the lower-left foreground, a portion of a bicycle wheel is visible, showing the spokes and the tire. The text is overlaid on the right side of the image.

## WHYTE FULL SUSPENSION

146 X, 146 WORKS, 146 S & T-120

Every year competitors scramble to grab the limelight fleetingly by edging ever closer to the limits of usability and reliability. We don't want to play that game though.

We design our bikes to be ridden relentlessly hard and build an appreciation that borders on addiction. To repay your enthusiasm and effort with the tightest, most responsive and toughest trail bikes available. The QUAD-Link II suspension also creates a uniquely responsive drive and shock absorbing architecture while shielding the shock from mud and debris. The bearings have a lifetime warranty too and there's enough tyre room to cope with the worst claggy conditions in winter.

That means the shocking acceleration, glued traction and exceptional chaos proof control you'll experience on your first ride is guaranteed on every following ride however foul the conditions are.

Trail tough, technically tenacious, blisteringly fast – pick three.

## QUAD-LINK II SUSPENSION SYSTEM

QUAD-Link II takes all the simplicity and low weight benefits of a single pivot design to keep the bike totally rideable and reliable in the worst conditions you can throw at it. At the same time it removes all the inevitable compromises with carefully created controllable wheel paths and variable shock leverage ratios to maximise your control and enjoyment.

It drives, grips, sucks up small bumps, handles hits and keeps control better than any single pivot system, yet it copes with mud, lack of maintenance, gruelling grinding paste trails and future shock changes better than any other linkage design.

### SIMPLEST 4 BAR LINKAGE SYSTEM; UNIQUE & PATENTED

QUAD-Link II is the simplest 4-Bar Link system... In fact, there is less to it than most linkage assisted single pivot systems. QUAD-Link II bikes are unique and patent protected.

### INTELLIGENT WHEEL PATH DESIGN

The intelligent wheel path from our unique 4-Bar linkage architecture is key to the performance of our bikes. Initial rearward movement lets the wheel absorb the slap of square edged hits, maintaining momentum even at slow climbing speeds. It also keeps the bikes feeling sharp and connected under power. Reduced chain-growth deeper into the wheel path prevents pedalling interruption and control compromising kickback from bigger hits throughout the stroke.

## GENUINELY VARIABLE LEVERAGE RATIO: TUNED FOR THE TRAIL AHEAD.

Because of a carefully engineered relationship between leverage ratio, wheel path and chain-growth, QUAD-Link II suspension can use a minimally damped shock to give the plushest, smoothest small bump response. The QUAD-Link II system then transitions smoothly through the mid-stroke of the shock to catch and control the biggest hits without ramping up or bottoming out harshly.



At Whyte we've always believed in letting the shock do the best job of absorbing impacts that it can. Not choking small bump performance with excessive low speed compression damping. Working with the shock builders, we custom tune the precise characteristics of the damper to integrate perfectly with our system. Because we can tune each aspect of the suspension performance independently our bikes achieve great pedalling performance as well as excellent small bump absorption. Our intelligent wheel path pulls peak power into the ground exactly when and where you need it to give exceptional traction.

The suspension system, the pivot bearings themselves and the way they install into the chassis are all specifically designed for maximum lifespan. That's why we can offer an unbeatable lifetime warranty on the pivot bearings of our bikes.



# WHYTE 146

TYPICAL USAGE: TRAIL

A genre, redefined.

"One bike - every trail" is a pretty tough design brief, but it is exactly what we have achieved with the 146.

We are setting new standards for Trail riding with unrivalled strength-to-weight and unmatched suspension performance. From your favourite descent to your toughest climb the lightweight and supremely agile full carbon fibre chassis will challenge you to constantly push harder and faster. Climb like an XC bike, descend like a downhill bike, the 146 provides confidence-inspiring, trail-taming geometry and genre-redefining performance that will exceed your expectations every time you ride.

"an outstanding ride-enhancing rule bender..... the Whyte 146 is an astonishing bike" *What Mountain Bike Magazine 2011.*









## WHYTE 146 X

TYPICAL USAGE: TRAIL

WHYTE  
PERFORMANCE BY DESIGN

■ 1 by 10 is the new trail bench mark. Featuring an 11-36 10-speed rear cassette and a single chain ring with a light weight chain device, this bike has all the trail taming attributes needed to slay a local DH trail or the steepest of trail centre runs - then pop up the block and spin you back up to the top

■ Whyte has worked with Fox to give the 146 X a fantastic Kashima coated rear RP23 rear shock which exploits the all-new XV2 sleeve to give this bike a "bottomless" feel. At the front end there is Taper steerer tubed Kashima Float 150 "Factory" spec fork with FIT damper. Combine this with a stripped off, raw carbon finish and we have a do-anything trail bike that only weighs 24lbs (medium size) without pedals

PF + 30



🇬🇧 2012 SUSPENSION WHYTE 146 X



## WHYTE 146 WORKS

TYPICAL USAGE: TRAIL

**WHYTE**  
PERFORMANCE BY DESIGN

■ We use monocoque technology as it allows us to integrate key parts of the frame in one structure, rather than building separate parts and joining them together later. This has real performance benefits. It's the lightest way to produce a frame that is both stiff and strong

■ A full carbon tapered headtube gives us fantastic stiffness which delivers very accurate tracking and steering performance in both low and high speed use. 146mm of rear suspension travel. Complete bike weighs only 25.5lbs (medium size) without pedals

■ SRAM PF30 bottom bracket improves durability in UK conditions and integrated ISCG05 tabs allow you to easily change your setup to a single chainring with a chain device

PF + 30



🇬🇧 2012 SUSPENSION 146 WORKS



## WHYTE 146 S

TYPICAL USAGE: TRAIL

**WHYTE**  
PERFORMANCE BY DESIGN

■ The 146 S is built around exactly the same ground-breaking full carbon monocoque chassis and swingarm as the Works and X models

■ Whyte designed suspension systems are engineered to perform smoothly for years to come. To back that up, we provide a lifetime warranty on all the suspension pivot bearings

■ The frame has integrated gravity dropper seatpost hose runs for easy upgrading without the need for unsightly cable ties. 146mm of rear suspension travel. Complete bike weighs only 26 lbs (medium size) without pedals

PF 30



🇬🇧 2012 SUSPENSION WHYTE 146 S





# WHYTE T-120

TYPICAL USAGE: TRAIL

Control the trail.

Set your saddle height via the uniquely comfortable, confidently secure broad lever seat clamp. Note how both seat slot and shock are completely protected from spray and debris. Relax into the saddle and take hold of the proper width bars with the full-fat semi lock-on grips, not limp featherweight foam. This is a proper, ultra practical trail bike.

Now take a deep breath. What happens next will be a surprise.

Immediate, unflinching power delivery. This bike doesn't just accelerate, it flies. Once unleashed it won't let go of that velocity either - it carves corners and swallows hits and drops so seamlessly that you'll be on the power through all your previous braking points. The T-120 is all about stability, confidence and control.







## WHYTE T-120

TYPICAL USAGE: TRAIL

WHYTE  
PERFORMANCE BY DESIGN

■ Confidence inspiring handling is guaranteed with Whyte's Trail Geometry. Custom drawn M6 Magnesium Enriched Aluminium main frame is light and strong. Updated design is 1.5lbs lighter than 2011 model

■ Tapered headtube gives excellent front end stiffness which delivers accurate tracking and steering performance

■ Full carbon single monocoque swingarm is light, strong and very stiff for exceptional power transfer and rear end stability. The replaceable dropouts come standard with the latest post-mount brake and 12 x 142 Maxle setup, but are interchangeable to future-proof the swingarm



🇬🇧 2012 SUSPENSION T-120







# WHYTE TRAIL HARDTAILS

19 Ti, 19 ALLOY, 19 STEEL, 905, 901

We feel sorry for the many people who don't 'get it'. Sorry for those riders whose full suspension bikes can't keep our trail hardtails in sight on descents, let alone singletrack. Sorry for those on race hardtails who've swallowed their tongues keeping pace with it on the climbs but who are now picking themselves out of the bushes on the exit of the first corner.

We'll even extend apologies to the designers who've tried and failed to match our unique hardtail handling elixir. An elusive mix as pitch perfect for blitzing trail centres, ripping up your riding group or vanishing into the wilds for a weekend. Award winning Ti 19, super versatile 19 Trail, multiple test winning and WMB magazine bike of the year recommended 905, the exceptional 901 alloy bike and Reynolds 631 tubed 19 Steel.







## WHYTE 19 TI

TYPICAL USAGE: CROSS COUNTRY/TRAIL

**WHYTE**  
PERFORMANCE BY DESIGN

■ The ultimate Ti hardtail features Whyte Frame Geometry, acknowledged by our customers and independent reviewers as the best numbers in the business. Cold worked 3/2.5 for light weight, with the unique compliant, responsive ride that can only come from top quality Titanium

■ High performance trail bike components including XT/XTR shifting and FSA PressFit 30 Afterburner Crank, with Hope X2 brakes. Ultimate trail bike finishing kit, including Easton Haven Carbon XC handlebar and Fizik Gobi XM saddle

■ Fox F120 RL Fit Performance suspension fork - with 120mm of travel and 15mm QR through axle. Unique contemporary frame, featuring superbly shaped rear stays. Whyte adjustable dropouts and PressFit 30 BB and for 2012 the frame features a tapered headtube for increased front end stiffness







## WHYTE 19 ALLOY

TYPICAL USAGE: CROSS COUNTRY/TRAIL

WHYTE  
PERFORMANCE BY DESIGN

- Light enough to race - tough enough for trails. This is our most versatile hardtail - from the Quantocks to the Alps, the 19 Alloy can do it all
- The Alloy 19 frame features a tapered headtube for increased front end stiffness and a Press Fit 30 BB for outstanding power transfer and improved reliability
- The unique 19 dropouts allow for geometry adjustment and easy conversion to single speed. Our choice of Trail bike finishing kit includes Hope brakes, Easton Haven bar, and FSA Afterburner stem and seat post and Easton XCT-70 UST compatible wheels



## WHYTE 19 STEEL

TYPICAL USAGE: CROSS COUNTRY/TRAIL

WHYTE  
PERFORMANCE BY DESIGN

- Using geometry and tubing profiles developed from the 19 Ti and constructed from the finest British made Reynolds 631 tubing, the 19 Steel frame stirs the emotions while delivering an addictive, trail-taming ride
- Whyte's unique adjustable dropouts allow for easy conversion to and from a single speed setup
- The 2012 19 Steel frame features a tapered headtube for increased front end stiffness



🇬🇧 2012 TRAIL HARD TAIL 19 STEEL





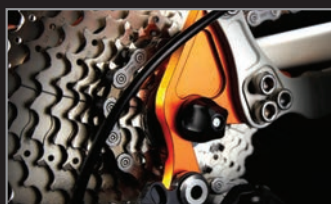
# WHYTE 19 DROPOUT

AS FEATURED ON THE WHYTE 19 TITANIUM, 19 ALLOY, 19 STEEL AND 829

As you might expect from Whyte not even something as simple as the rear dropout is left without a magic touch from our designers. Used on our Ti, Steel and Alloy "19" and "829", our unique dropout system provides geometry adjustment as well as easy conversion to a single speed setup.

The CNC machined rear dropouts allow adjustment of the chainstay length between 415 and 435mm. With the chainstay length increased the bike sits slightly lower giving a more relaxed feel to the ride and providing more stability on steep, technical descents. Shortening the chainstay length raises the bottom bracket height slightly for increased ground clearance, improved climbing and sharper handling in tight, twisty singletrack.

Both dropout plates are engraved with markings to make accurate wheel alignment quick and easy and the stepless adjustment is perfect to accurately tension the chain for a single speed or hub gear set up – with no need to adjust the brake caliper.



# GETTA GRIP

AS FEATURED ON THE WHYTE 146, T-120, 19 TI, 19 ALLOY AND 905

Getta Grip has been developed from scratch to improve the way a seatpost is held in the frame. Traditional clamps need to bend the frame to grip the seat post and often bind after long periods of use, as the frame can no longer "remember" its original shape.

The Patented Getta Grip system takes a whole new approach using a pad that fits through a window in the frame - ideal for UK conditions as there is no open slot to let in mud and water. Because the Getta Grip seat clamp only has to hold the seatpost rather than bend the frame, less force is required to operate it. The clamping force is spread more evenly making it ideal for carbon posts and has been officially approved by Easton for use with all their seatposts.











## WHYTE 905

TYPICAL USAGE: CROSS COUNTRY/TRAIL

**WHYTE**  
PERFORMANCE BY DESIGN

- Using the same trail geometry developed for the 19, the 905 offers no-compromise performance and sublime handling
- The frame is constructed from the highest quality 6061 Aluminium Alloy, extruded and manipulated to our exact specification. The rear seat stays are a work of art internally and contribute in a big way to the 905's outstanding ride characteristics
- In a recent review What Mountain Bike Magazine said "it's sharp yet smooth.... a superb blend of race speed and technical confidence", giving it an Editor's Choice and a Gold Award



## WHYTE 901

TYPICAL USAGE: CROSS COUNTRY/TRAIL

WHYTE  
PERFORMANCE BY DESIGN

- Using the same trail geometry developed for the 19, the 901 offers no-compromise performance and sublime handling
- The frame is constructed from 6061 Aluminium Alloy, extruded and manipulated to our exact specification. For 2012 the 901 gains a Tapered Headtube
- The rear seat stays are precisely shaped and sculpted to help give the 901 excellent ride characteristics



🇬🇧 2012 TRAIL HARD TAIL 901







DESIGNED IN THE UK

**CARRION**  
MULTI-MATERIAL  
CHASSIS DESIGN  
WITH THE LAMP

WHYTE WHYTE WHYTE WHYTE WHYTE  
WHYTE WHYTE WHYTE WHYTE WHYTE  
WHYTE WHYTE WHYTE WHYTE WHYTE  
WHYTE WHYTE WHYTE WHYTE WHYTE  
WHYTE WHYTE WHYTE WHYTE WHYTE  
WHYTE WHYTE WHYTE WHYTE WHYTE  
WHYTE WHYTE WHYTE WHYTE WHYTE  
WHYTE WHYTE WHYTE WHYTE WHYTE  
WHYTE WHYTE WHYTE WHYTE WHYTE  
WHYTE WHYTE WHYTE WHYTE WHYTE

# WHYTE 20-C CARBON

TYPICAL USAGE: CROSS COUNTRY, RACE

Hand Tailored, for a perfect ride.

Precision cut carbon fibre, painstakingly laid up in 3D moulds by master craftsmen. No shortcuts here - it's a complex and challenging process, but the results are truly outstanding. This all-new lightweight chassis delivers exceptional torsional stiffness for surgically precise tracking and unflinching power delivery.

Whyte's unique trail honed geometry lets you push the pace just as hard on the descents as the climbs too, making this the ultimate high velocity hardtail for racers and endurance athletes.

We've engineered in some comfort too. Combined with our small diameter seat post, the svelte seat-stays provide just enough compliance to help reduce rider fatigue during long days in the saddle.



By mounting the caliper inside the rear stays with our unique dropout, we can feed the brake loads into the chainstay, allowing us to use much less material in the seat stays. This improves comfort and saves weight.



One look at the deep section chainstays tells you that you won't have to live with any energy sapping torsional flex when you're putting down the power.



## WHYTE 20-C WORKS XX

TYPICAL USAGE: CROSS COUNTRY/RACE

WHYTE  
PERFORMANCE BY DESIGN

■ The Works spec is the spec of choice for our Pro Rider, Billy Whenman. Quite simply, the finest performance finishing parts available, on our state of the art frame

■ Our Unique Whyte Frame Geometry is more surefooted than a typical light-weight X-C Race bike, inspiring confidence on more technical sections

■ The 2 by 10 FSA K-force and SRAM XX specs gives close ratio compact gearing, to maximize the time you're on the power



🇬🇧 2012 CARBON 20-C WORKS XX



## WHYTE 20-C TEAM

TYPICAL USAGE: CROSS COUNTRY/RACE

WHYTE  
PERFORMANCE BY DESIGN

■ The 20-C Team bike is specced using the FSA SLK Carbon PressFit 30 crankset combined with XTR brakes, XTR drive train, and the fantastic Easton EA-90 full UST compatible wheels

■ This all-new chassis delivers exceptional torsional stiffness for surgically precise tracking and unflinching power delivery

■ Our Unique Whyte Frame Geometry is more surefooted than a typical light-weight X-C Race bike, inspiring confidence on more technical sections



🇬🇧 2012 CARBON 20-C TEAM





## WHYTE 20-CS

TYPICAL USAGE: CROSS COUNTRY/RACE

WHYTE  
PERFORMANCE BY DESIGN

- This all-new chassis delivers exceptional torsional stiffness for surgically precise tracking and unflinching power delivery
- FSA SLK parts, with X-0 and Easton custom XCT-70 UST compatible wheels deliver a race winning package
- Our Unique Whyte Frame Geometry is more surefooted than a typical light-weight X-C Race bike, inspiring confidence on more technical sections



🇬🇧 2012 CARBON 20-CS



## WHYTE 20-C

TYPICAL USAGE: CROSS COUNTRY/RACE

WHYTE  
PERFORMANCE BY DESIGN

■ This all-new chassis delivers exceptional torsional stiffness for surgically precise tracking and unflinching power delivery

■ Our Unique Whyte Frame Geometry is more surefooted than a typical light-weight X-C Race bike, inspiring confidence on more technical sections

■ Whyte X-C 202 wheelset is light and hand built in one of the best wheel building factories in the world



🇬🇧 2012 CARBON 20-C





# WHYTE 29-C CARBON

TYPICAL USAGE: CROSS COUNTRY, RACE

We set out to build our 29ers around the Whyte frame geometry philosophy of UK-proof, year round performance, balance and control - perfectly suited to classic UK XC riding.

And our 29ers are unique. We run shorter chain stays coupled to a slightly more relaxed head angle as it allows more length in the front of the bike, greatly improving the feel of the bike and maintaining the agile handling that all our bikes are known for.

All our 2012 Carbon Hardtail chassis take a big step forward in both power transfer and comfort terms. One look at the deep section chainstays tells you that you won't have to live with any energy sapping torsional flex when you're putting down the power. And the exquisitely shaped and svelte seat stays help to take the sting out of the trail, taking the edge off the jolts and vibrations that otherwise lead to rider fatigue and discomfort.







## WHYTE 29ER CS

TYPICAL USAGE: CROSS COUNTRY/RACE

WHYTE  
PERFORMANCE BY DESIGN

- We have taken all our experience in award winning hardtail designs and applied the same winning formula to our 29er's to deliver balance and control
- Our unique Whyte Frame Geometry is more surefooted than a typical light-weight X-C Race bike, inspiring confidence on more technical sections
- With a tapered steerer tube and 15mm Maxle Lite front wheel interface and the excellent Easton XCT-70 UST compatible wheelset this bike will not only get you round your favourite XC loop in a record breaking time, it will also give you the control and balance of the very best of our Whyte trail bikes



🇬🇧 2012 CARBON 29ER 29er CS



## WHYTE 29ER C

TYPICAL USAGE: CROSS COUNTRY/RACE

WHYTE  
PERFORMANCE BY DESIGN

■ We have taken all our experience in award winning hardtail designs and applied the same winning formula to our 29er's to deliver balance and control

■ Our Unique Whyte Frame Geometry is more surefooted than a typical light-weight X-C Race bike, inspiring confidence on more technical sections

■ Whyte X-C 202 wheelset is light and hand built, in one of the best wheel building factories in the World



🇬🇧 2012 CARBON 29ER 29er C





# X-8 PERFORMANCE XC HARDTAIL

TYPICAL USAGE: CROSS COUNTRY

They look fast, just standing still.

Climb aboard and you'll see the initial feeling of speed is much more than just an illusion. Our unique geometry fuses cross country agility with trail-honed handling, encouraging you to push your limits on the descents as well as the climbs.

The X8 series offer a perfect introduction to the Whyte brand. Constructed of lightweight butted aluminium with the same geometry to the acclaimed carbon hardtails, all bikes are built for thrashing in tough UK conditions. 100mm forks, 2.2 tyres, wide low-rise bars and short stems create a high octane, trail ready ride that is both responsive and thrilling.

Whether you are riding your local woods, lining up for your 1st race grid or setting the pace with friends at the trail centre the X-8 range is going to deliver.







## 29ER ADJUSTMENT

Using our patented adjustable dropout system unlocks some real all-weather versatility in our 829.



For the best in responsive handling, position the rear wheel forward shortening the chainstay.



When the weather turns wet, move the wheel further back to increase tyre clearance for muddier conditions.

## WHYTE 829

TYPICAL USAGE: CROSS COUNTRY

WHYTE  
PERFORMANCE BY DESIGN

■ A wholly unique 29er, built around our agile Whyte Frame Geometry and featuring Shimano's brand new XT 3 x 10 groupset, light weight wheelset and a Fox F100 RL Evolution fork for a benchmark XC package

■ These frames bristle with UK design features, such as extra mud clearance for all-weather usability, forward facing seat slot to keep rear wheel spray out of the frame, continuous outers for improved cable life and crud-catcher mounts on the downtube to keep the grit out of your teeth

■ Mud clearance and all weather features have long been associated with our designs and when Whyte set out to design a 29er there was no exception. We have fitted our unique adjustable dropouts, so you can run the chainstays short in the summer and when the weather turns bad, give yourself a whole load more mud clearance by moving the rear wheel backwards





## WHYTE 810

TYPICAL USAGE: CROSS COUNTRY

WHYTE  
PERFORMANCE BY DESIGN

■ Brand new Shimano XT 2 by 10, a Fox F100 RL Evolution fork and a light weight Whyte X-C 202 wheelsset combine to give a benchmark X-C package, that's also "Trail Ready" with its Whyte Frame Geometry

■ These frames bristle with UK design features, such as extra mud clearance for all-weather usability, forward facing seat slot to keep rear wheel spray out of the frame, continuous outers for improved cable life and crud-catcher mounts on the downtube to keep the grit out of your teeth

■ The same high quality frameset features on all the X-8 bikes. The custom tubing is drawn to our specification and then profiled, butted and shaped to give what we consider to be the perfect ride feel



## WHYTE 809

TYPICAL USAGE: CROSS COUNTRY

WHYTE  
PERFORMANCE BY DESIGN

- The same high quality frameset features on all the X-8 bikes. The custom tubing is drawn to our specification and then profiled, butted and shaped to give what we consider to be the perfect ride feel
- Our trail-honed geometry is both fast and reassuring, encouraging you to push your limits on the descents as well as the climbs
- These frames bristle with UK design features, such as extra mud clearance for all-weather usability, forward facing seat slot to keep rear wheel spray out of the frame, continuous outers for improved cable life and crud-catcher mounts on the downtube to keep the grit out of your teeth



🇬🇧 2012 XC HARD TAIL 809





## WHYTE 805

TYPICAL USAGE: CROSS COUNTRY

WHYTE  
PERFORMANCE BY DESIGN

- The same high quality frameset features on all the X-8 bikes. The custom tubing is drawn to our specification and then profiled, butted and shaped to give what we consider to be the perfect ride feel
- Our trail-honed geometry is both fast and reassuring, encouraging you to push your limits on the descents as well as the climbs
- These frames bristle with UK design features, such as extra mud clearance for all-weather usability, forward facing seat slot to keep rear wheel spray out of the frame, continuous outers for improved cable life and crud-catcher mounts on the downtube to keep the grit out of your teeth



## WHYTE 801

TYPICAL USAGE: CROSS COUNTRY

WHYTE  
PERFORMANCE BY DESIGN

■ The same high quality frameset features on all the X-8 bikes. The custom tubing is drawn to our specification and then profiled, buffed and shaped to give what we consider to be the perfect ride feel

■ These frames bristle with UK design features, such as extra mud clearance for all-weather usability, forward facing seat slot to keep rear wheel spray out of the frame, continuous outers for improved cable life and crud-catcher mounts on the downtube to keep the grit out of your teeth

■ Shimano 9 speed drive train, Rockshox X-C 28 with Lock-out and Tektro Draco Hydraulic Disk Brakes, coupled to the X-8 triple butted Alloy 6061 frame make for an amazing package





## C7: ALL TERRAIN SERIES

Named after some of the UK's most scenic locations, these All Terrain bikes offer versatility with style. It's all about choice - and this category from Whyte simply refuses to be pigeonholed. Whether you are touring the lakes, following a canal network or climbing an Alpine Col the lightweight yet robust range has all your needs covered. The C7 series is also a perfect "Cycle to Work scheme" bike, complete with rack mounts and suspension forks for comfort - or fix on a pannier set and go exploring.





## WHYTE CONISTON

TYPICAL USAGE: ALL TERRAIN

WHYTE  
PERFORMANCE BY DESIGN

■ When we set out to create a range of bikes that would handle all-terrain use we started with the geometry of the frame. 11 years of off-road experience told us that these bikes first and foremost need to handle sweetly, whether riding along a canal tow path, heading down a woodland trail, or beating the traffic on the way through town

■ A custom rear drop out allows us to fit the hydraulic disc brake caliper inside the rear triangle leaving you plenty of room to fit a rack and mudguards if desired

■ Full Shimano 9 speed SLX and XT mountain bike components make the Coniston a class act



## WHYTE CALEDONIAN

TYPICAL USAGE: ALL TERRAIN

WHYTE  
PERFORMANCE BY DESIGN

- Our custom built frames are loaded with unique design touches and British weatherproof features - such as the forward facing seat slot that stops water spray from the rear wheel getting into the frame and the continuous outer cables that keep the gear shifts working smoother for longer
- The ride-feel of these bikes is second to none, with a fantastic quality lightweight frame including our unique rear stays which really improve the comfort and performance, whatever the terrain
- Full Shimano 9 speed Deore and SLX with Octolink BB and MTB durability





## WHYTE MALVERN

TYPICAL USAGE: ALL TERRAIN

WHYTE  
PERFORMANCE BY DESIGN

■ Our custom built frames are loaded with unique design touches and British weatherproof features - such as the forward facing seat slot that stops water spray from the rear wheel getting into the frame and the continuous outer cables that keep the gear shifts working smoother for longer

■ The ride-feel of these bikes is second to none, with a fantastic quality lightweight frame including our unique rear stays which really improve the comfort and performance, whatever the terrain

■ Full Shimano 9 Speed group to give years of unrivaled performance and puncture proof tyres for extra reliability and piece of mind



🇬🇧 2012 C7 ALL TERRAIN MALVERN







## WHYTE CALEDONIAN WOMEN'S

TYPICAL USAGE: ALL TERRAIN

**WHYTE**  
PERFORMANCE BY DESIGN

- All the same key design features as the men's version, with the added benefit of a partially dropped top tube. This increases standover height, while still keeping enough room inside the frame to comfortably fit a water bottle
- Another benefit of the partially dropped tube is the maintained stiffness of the frame (fully dropped top tube frames are flexy and offer less steering control)
- Full Shimano 9 speed Deore with Octalink BB and MTB durability



## WHYTE MALVERN WOMEN'S

TYPICAL USAGE: ALL TERRAIN

WHYTE  
PERFORMANCE BY DESIGN

- All the same key design features as the men's version, with the added benefit of a partially dropped top tube. This increases standover height, while still keeping enough room inside the frame to comfortably fit a water bottle
- Another benefit of the partially dropped tube is the maintained stiffness of the frame (fully dropped top tube frames are flexy and offer less steering control)
- Full Shimano 9 Speed group to give years of unrivaled performance and puncture proof tyres for extra reliability and piece of mind





# CROSS SERIES

TYPICAL USAGE: ALL TERRAIN, COMMUTE

Mix it up – on and off road.

Once upon a time, for the ultimate in versatility and year-round use, you couldn't beat a traditional cross bike.

But now you can. Whyte uses disc brakes, super-tough wheels and our unique Whyte Frame Geometry to create a new breed of high performance multi-role cross-over bikes.

Designed to cope with a gnarly off-road trail a Whyte cross bike is equally at home on a high-speed commute through the urban sprawl, easily handling the curbs, grates and drains that would stop a lesser bike in its tracks, offering speed and lightweight construction combined with off-road resilience.



## WHYTE SAXON CROSS

TYPICAL USAGE: ALL TERRAIN

WHYTE  
PERFORMANCE BY DESIGN

■ New for 2012 Whyte have applied the Whyte Frame Geometry to the all purpose CX category. The Saxon Cross gives you Whyte's most versatile bike, whether commuting, riding your favorite bridal path or winter training this bike will do it all. Or alternatively go try a CX winter race, this bike can do it all!

■ SRAM Apex and Rival combine to give a great power delivery, Avid provide the stopping power with BB-7's and Whyte have designed a truly great all-round frame

■ A straight bladed carbon fork with a tapered steerer tube give this bike great front end stiffness and steering precision







## CROSS SERIES

TYPICAL USAGE: ALL TERRAIN/COMMUTE





## WHYTE CHARING CROSS

TYPICAL USAGE: ALL TERRAIN/COMMUTE

WHYTE  
PERFORMANCE BY DESIGN

- A strong Alloy 6061 frame, with mudguard and rack eyelets combined with deep section R-7 wheels and disk brakes will give years of low cost cycling

- New for 2012 Whyte have applied the Whyte Frame Geometry to the all purpose CX category, designed for commuting longer distances, through your favourite park or down the local Sustrans path, this versatile bike will soak up whatever you throw at it

- Shimano Tiagra 10 speed drive train with compact gearing will give a great spread of gear ratios whether commuting fully loaded or winter training



## WHYTE KINGS CROSS

TYPICAL USAGE: ALL TERRAIN/COMMUTE

**WHYTE**  
PERFORMANCE BY DESIGN

- New for 2012 Whyte have applied the Whyte Frame Geometry to the all purpose CX category, designed for commuting longer distances, through your favourite park or down the local Sustrans path, this versatile bike will soak up whatever you throw at it
- A strong Alloy 6061 frame, with mudguard and rack eyelets combined with deep section R-7 wheels and disk brakes will give years of low cost cycling
- Shimano 9 speed drive train with compact gearing will give a great spread of gear ratios whether commuting fully loaded or winter training



🇬🇧 2012 CROSS SERIES KINGS CROSS









## **R7: FAST URBAN SERIES**

TYPICAL USAGE: URBAN/COMMUTE

The series name certainly gives a clue to our intentions, but by no means tells the full story. Whyte have defined a new category here, combining the best elements of an Urban MTB, the immediate power delivery of a road bike and the design flair of a Single Speed.

Our unique geometry balances precise steering control with stability – a perfect combination for life in the fast lane. The frames are mountain-bike tough, to cope with the rigours of the daily commute and super-comfortable so you arrive at work invigorated for the day ahead. Add the uber-clean (and dare we say stylish) look of the Whyte Fast Urban bikes and you won't just be saving time cutting through town, you'll be stealing a few admiring glances along the way.



## WHYTE MONTPELLIER

TYPICAL USAGE: URBAN/COMMUTE

WHYTE  
PERFORMANCE BY DESIGN

■ Based on our high performance mountain bike geometry, all our Fast Urban bikes have a long wheelbase and relaxed head angle for high speed stability, and a shorter stem for excellent slow speed maneuverability

■ The Montpellier weighs in at a fraction over 18lbs - unbeatably svelte for a rugged Urban-Proof commuter bike



🇬🇧 2012 R7 FAST URBAN MONTPELLIER



## WHYTE STIRLING

TYPICAL USAGE: URBAN/COMMUTE

WHYTE  
PERFORMANCE BY DESIGN

■ Based on our high performance mountain bike geometry, the Stirling has a long wheelbase and relaxed head angle for high speed stability, and a shorter stem for excellent slow speed maneuverability

■ A custom rear dropout allows us to mount the rear hydraulic disc brake caliper inside the rear triangle, clearing the way for any rack or mudguards that may be required

■ Our shaped, butted and uniquely profiled rear stays give all our Fast Urban bikes a fantastically responsive and comfortable ride, especially when combined with a top quality carbon fibre front fork



🇬🇧 2012 R7 FAST URBAN STIRLING





## WHYTE CAMBRIDGE

TYPICAL USAGE: URBAN/COMMUTE

WHYTE  
PERFORMANCE BY DESIGN

- Based on our high performance mountain bike geometry, all our Fast Urban bikes have a long wheelbase and relaxed head angle for high speed stability, and a shorter stem for excellent slow speed maneuverability
- A custom rear dropout allows us to mount the rear hydraulic disc brake calliper inside the rear triangle, clearing the way for any rack or mudguards that may be required
- Our shaped, butted and uniquely profiled rear stays give all our Fast Urban bikes a fantastically responsive and comfortable ride, especially when combined with a top quality carbon fibre front fork



🇬🇧 2012 R7 FAST URBAN CAMBRIDGE



## WHYTE PORTOBELLO

TYPICAL USAGE: URBAN/COMMUTE

WHYTE  
PERFORMANCE BY DESIGN

- Based on our high performance mountain bike geometry, all our Fast Urban bikes have a long wheelbase and relaxed head angle for high speed stability, and a shorter stem for excellent slow speed maneuverability
- A custom rear dropout allows us to mount the rear hydraulic disc brake caliper inside the rear triangle, clearing the way for any rack or mudguards that may be required
- Our shaped, buffed and uniquely profiled rear stays give all our Fast Urban bikes a fantastically responsive and comfortable ride, especially when combined with a top quality carbon fibre front fork



🇬🇧 2012 R7 FAST URBAN PORTOBELLO





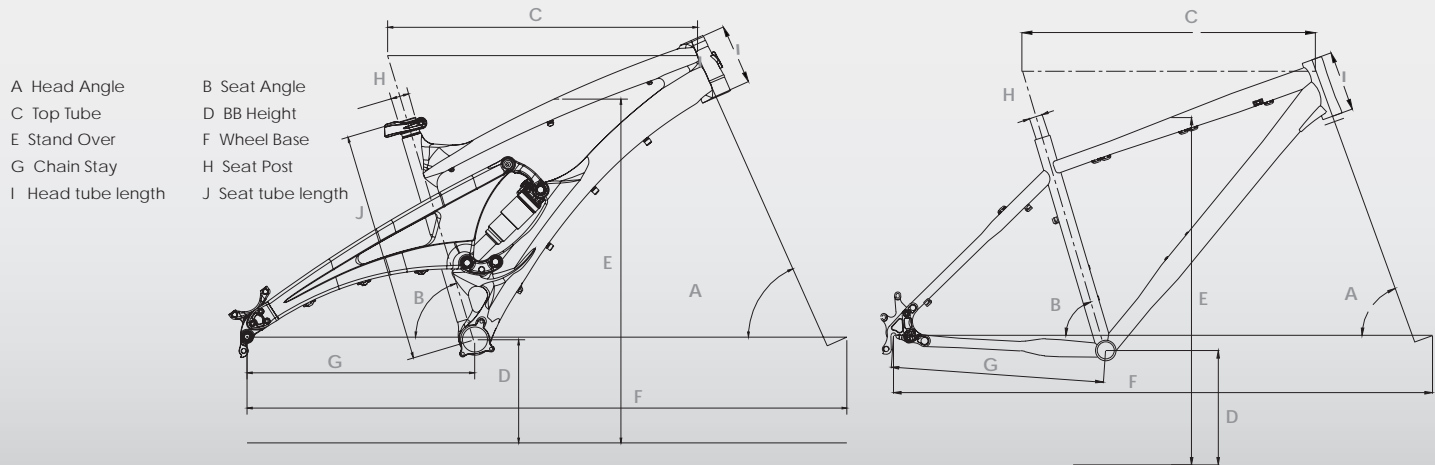
# WHYTE FRAME GEOMETRY:

Geometry – the angles that define the way a bike interacts with the rider and the trail - is the most important part of any bike's character and performance.

It affects every aspect from that welcoming initial confidence, comfort and control to how hard you push yourself hours into a race or what new technical sections you've mastered months after your first ride. Whether it's that crucial traction balance on the crux move of a killer climb or calmly making a turn millimeters from the edge of potential disaster on a flat out descent, we've designed our bikes to handle superbly in every situation.

Our R&D office uses AutoDesk 3D CAD packages to allow us to conceive, develop and perfect potential geometry before we even get on the trail.

Unlike many manufacturers we rework our geometry for each and every bike too.



Likely use, likely riders, suspension function, frame attributes – it all affects what angles and dimension will create the optimum character. We also break down each individual aspect of a bike's geometry as well as the components we use so we can isolate and precision tune each vital variable. By co-developing suspension and handling geometry in tandem we can ensure that both work together seamlessly in every situation too.

Finally we build a selection of prototypes for our development team to appraise, prove and perfect in real world trail conditions that no computer simulation can hope to match. It's the feedback of these brutally uncompromising riders as well as our sponsored athletes that give the stamp of true trail authority or send us back to the drawing board again.

After all, if it doesn't ride right, it's not a Whyte.

Whyte 146 X | Whyte 146 Works | 146 S

Frame Size	A	B	C	D	E	F	G	H	I	J
S	66°	73.5°	576	338	795	1136	440	30.9	115	406
M	66°	73.5°	599	338	803	1159	440	30.9	120	445
L	66°	73.5°	624	338	810	1185	440	30.9	125	483

Whyte T-120

Frame Size	A	B	C	D	E	F	G	H	I	J
S	68°	72.3°	582	342	757	1093	425	30.9	115	419
M	68°	73°	602	337	777	1119	425	30.9	125	445
L	68°	73.3°	614	335	800	1135	425	30.9	135	483

Whyte 20-C Works XX | Whyte 20-C Team | Whyte 20-CS | Whyte 20-C

Frame Size	A	B	C	D	E	F	G	H	I	J
XS	68.5°	74°	560	300	750	1074	425	30.9	107	381
S	68.5°	73.5°	585	300	755	1094	425	30.9	115	406
M	68.5°	73.5°	604	300	775	1114	425	30.9	125	444

Whyte 29er CS | Whyte 29er C

Frame Size	A	B	C	D	E	F	G	H	I	J
18.5"	69°	73°	627	305	818	1130	438	30.9	110	470
20.5"	69°	73°	620	305	847	1142	438	30.9	120	521

Whyte 19 Ti

Frame Size	A	B	C	D	E	F	G	H	I	J
S	67.2° - 67.7°	72.2° - 72.7°	565	323	778	1067 - 1084	425	30.9	100	406
M	67.2° - 67.7°	72.2° - 72.7°	584	323	802	1086 - 1103	425	30.9	120	436
L	67.2° - 67.7°	72.2° - 72.7°	609	323	823	1112 - 1129	425	30.9	130	482





Whyte 19 Alloy										
Frame Size	A	B	C	D	E	F	G	H	I	J
S	67.2° - 67.7°	72.2° - 72.7°	567	323	759	1065 - 1083	425	30.9	115	406
M	67.2° - 67.7°	72.2° - 72.7°	586	323	789	1085 - 1102	425	30.9	125	455
L	67.2° - 67.7°	72.2° - 72.7°	611	323	819	1111 - 1128	425	30.9	145	491

Whyte 19 Steel										
Frame Size	A	B	C	D	E	F	G	H	I	J
S	67.2° - 67.7°	72.2° - 72.7°	565	323	776	1066 - 1083	425	30.9	100	406
M	67.2° - 67.7°	72.2° - 72.7°	584	323	796	1086 - 1103	425	30.9	115	436
L	67.2° - 67.7°	72.2° - 72.7°	609	323	823	1111 - 1129	425	30.9	125	482

Whyte 905   Whyte 901										
Frame Size	A	B	C	D	E	F	G	H	I	J
S	67.5°	72.5°	565	323	774	1082	425	30.9	122	406
M	67.5°	72.5°	585	323	800	1102	425	30.9	132	455
L	67.5°	72.5°	610	323	826	1129	425	30.9	152	491
XL	67.5°	72.5°	629	323	853	1154	425	30.9	160	533

Whyte 810   Whyte 809   Whyte 805   Whyte 801										
Frame Size	A	B	C	D	E	F	G	H	I	J
S	68.5°	73.5°	581	314	773	1092	425	30.9	115	406
M	68.5°	73.5°	596	314	797	1107	425	30.9	125	444
L	68.5°	73°	615	314	824	1122	425	30.9	135	495
XL	68.5°	73°	626	314	844	1134	425	30.9	145	533

Whyte 829										
Frame Size	A	B	C	D	E	F	G	H	I	J
18.5"	69°	73°	627	305	808	1133	425	30.9	110	470
20.5"	69°	73°	636	305	847	1142	425	30.9	120	521

### Whyte Saxon Cross

Frame Size	A	B	C	D	E	F	G	H	I	J
51cm	69.3°	74.5°	538	290	795	1036	425	27.2	130	510
53cm	69.3°	74°	558	290	810	1057	430	27.2	145	530
55cm	69.3°	73.5°	585	290	824	1075	430	27.2	160	550
57cm	69.3°	73°	600	290	840	1106	435	27.2	175	570

### Whyte Kings Cross | Whyte Charing Cross

Frame Size	A	B	C	D	E	F	G	H	I	J
51cm	69.3°	74.5°	543	290	795	1041	425	27.2	130	510
53cm	69.3°	74°	567	290	810	1066	430	27.2	145	530
55cm	69.3°	73.5°	591	290	824	1086	430	27.2	160	550
57cm	69.3°	73°	610	290	840	1106	435	27.2	175	570

### Whyte Coniston | Whyte Caledonian | Whyte Malvern

Frame Size	A	B	C	D	E	F	G	H	I	J
S	69°	74°	592	288	784	1101	435	30.9	115	457
M	69°	73.5°	617	288	815	1121	435	30.9	125	495
L	69°	73°	632	288	842	1131	435	30.9	135	546

### Whyte Caledonian Women's | Whyte Malvern Women's

Frame Size	A	B	C	D	E	F	G	H	I	J
S	68°	74.5°	560	288	728	1073	435	30.9	107	432
M	69°	74°	587	288	747	1085	435	30.9	115	457
L	69°	73.5°	612	288	767	1105	435	30.9	125	495

### Whyte Montpellier | Whyte Stirling | Whyte Cambridge | Whyte Portobello

Frame Size	A	B	C	D	E	F	G	H	I	J
S	69.5°	74°	572	272	717	1052	420	27.2	120	406
M	70°	73.5°	597	272	743	1069	420	27.2	140	444
L	70°	73°	611	272	779	1079	420	27.2	160	495
XL	70°	73°	625	272	805	1094	420	27.2	180	533



	XC FRS			
Model	Whyte 146 X	Whyte 146 Works	Whyte 146 S	Whyte T-120
Colour	Jet Black Matt / Gloss with Apple Green Decals	Jet Black / White / Nickel	Jet Black / White / Nickel	White Gloss and Apple Green
Sizes Available	S, M, L	S, M, L	S, M, L	S, M, L, XL
Frame	Uni-directional Monocoque Front Triangle, Single Monocoque Rear Swingarm, Modular Dropouts	Uni-directional Monocoque Front Triangle, Single Monocoque Rear Swingarm, Modular Dropouts	Uni-directional Monocoque Front Triangle, Single Monocoque Rear Swingarm, Modular Dropouts	Alloy M6 Magnesium Enriched, Front Triangle with Tapered Head Tube, Single Monocoque Rear Swingarm with Modular Dropouts
Fork	Fox 32 Float 150 RCL FIT, Kashima Coating, Factory Series, QR15 with Tapered Steerer Tube, Adjustable Rebound and High and Low Speed Compression Adjustment	Fox 32 Float 150 RCL FIT Factory Series, QR15 with Tapered Steerer Tube, Adjustable Rebound and High and Low Speed Compression Adjustment	Fox 32 Float 150 RL FIT Performance Series, QR15 Tapered Steerer Tube, Adjustable Rebound and Compression Adjustment	RockShox Reba RL, Maxle Light, 120mm Travel, Motion Control Damping with Turn Key Lockout
Rear Shock	Fox Float RP23 with XV 2 Sleeve and Kashima Coating, Rebound Adjustment and Adjustable DOHC ProPedal. Whyte Designs Cartridge Bearing Shock Bushings	Fox Float RP23 with XV 2 Sleeve, Rebound Adjustment and Adjustable DOHC ProPedal. Whyte Designs Cartridge Bearing Shock Bushings	Fox Float RP2 with XV 2 Sleeve, Rebound Adjustment and Adjustable DOHC ProPedal. Whyte Designs Cartridge Bearing Shock Bushings	Rock Shox Monarch TL with large air volume can, with Rebound Adjustment and compression floodgate
Headset	FSA Orbit ZS, Sealed Cartridge Bearings, 1.5" Lower, 1 1.8" Upper Bearings	FSA Orbit ZS, Sealed Cartridge Bearings, 1.5" Lower, 1 1.8" Upper Bearings	FSA Orbit ZS, Sealed Cartridge Bearings, 1.5" Lower, 1 1.8" Upper Bearings	FSA Orbit ZS, Sealed Cartridge Bearings, 1.5" Lower, 1 1.8" Upper Bearings
Rear Hub	Easton Haven Carbon 12mm X 142 Shimano E-Thru	Easton EA-90 12mm X 142 Shimano E-Thru	Easton XCT-70 12mm X 142 Shimano E-Thru	Alloy, Double Sealed Bearing Hub, 32 Hole, 12mm x 142mm Maxle
Front Hub	Easton Haven Carbon QR15	Easton EA-90 QR15	Easton XCT-70 QR15	Alloy, Double Sealed Bearing Hub, 32 Hole, 15mm Maxle
Spokes	Easton Double Butted	Easton EA-90	Easton XCT-70	WTB Double Butted 15g/16g, Black Stainless
Rims	Easton Haven Carbon, Tubeless Compatible Wheelset	Easton EA-90, UST Tubeless	Easton XCT-70, UST Tubeless Rims	WTB TCS Cross Contry Disc, 19mm, 32 Hole
Tyres	Maxxis Ardent 26 x 2.25" 120 TPI with Kevlar Bead Front, Maxxis Crossmark 2.1" 120 TPI Rear	Maxxis Ardent 26 x 2.25" 120 TPI with Kevlar Bead Front, Maxxis Crossmark 2.1" 120 TPI Rear	Maxxis Ardent 26 x 2.25" 120 TPI with Kevlar Bead Front, Maxxis Crossmark 2.1" 120 TPI Rear	WTB Wolverine 26" x 2.1" with Kevlar Bead UST Tubeless System
Shift Levers	Shimano XTR M980 Ispec, 10 Speed	SRAM XX, 10 Speed	SRAM X-9, 10 Speed	SRAM X-7, 10 Speed, Custom Colour
Front Derailleur	N/A	SRAM XX, 10 Speed	SRAM X-9, 10 Speed	SRAM X-7, 10 Speed, Custom Colour
Rear Derailleur	Shimano XTR RD-M985 Shadow Plus	SRAM XX Long Cage, 10 Speed	SRAM X-0 Long Cage, 10 Speed	SRAM X-9 Long Cage, 10 Speed, Custom Colour
Cassette	Shimano XTR, CS-M980 11-36T, 10 Speed	SRAM XX, 11-36T, 10 Speed	SRAM PG-1050, 12-36, 10 Speed	SRAM PG-1030, 12-36, 10 Speed
Chain	Shimano CN-M980, 10 Speed	SRAM, 10 Speed	SRAM, 10 Speed	SRAM, 10 Speed
Crankset	E-13 XCX Single Crank, PF30, 34T Chaining with E-13 ISCG 5 Chainguide	SRAM XX Press Fit-30, 26-39, 10 Speed, Compact Double	SRAM X-9 Press Fit-30, 26-39, 10 Speed, Compact Double	SRAM S1000, 26-39, 10 Speed, Compact Double
Bottom Bracket	Press Fit-30	Press Fit-30	Press Fit-30	SRAM GXP
Seatpost	Rock Shox REVERB Remotely Adjustable, 30.9mm x 420mm	Rock Shox REVERB Remotely Adjustable, 30.9mm x 420mm	Whyte Alloy 2014, 30.9mm x 410mm, 2 Bolt Clamp	Whyte Alloy 2014, 30.9mm x 410mm, 2 Bolt Clamp
Seat	Fi'zi:k Gobi II Shiny Black and Black	Fi'zi:k Gobi Chalk White and Black	Fi'zi:k Gobi XM	Whyte Custom, Triple Panel Design
Bar	Easton Haven Carbon Low Rise, 31.8mm OD, 711mm Wide	Easton Haven Carbon Low Rise, 31.8mm OD, 711mm Wide	Easton Haven Alloy Low Rise, 31.8mm, 711mm Wide	Whyte Custom 2014 Alloy, Low Rise, 710mm Wide
Stem	Easton Haven, 31.8mm Bar Clamp, 70mm S, 70mm M, 85mm L	Easton Haven, 31.8mm Bar Clamp, 70mm S, 70mm M, 85mm L	Whyte, 31.8mm Bar Clamp, S & M 70mm, L 80mm	Whyte, 31.8mm Bar Clamp, XS & S 70mm, M 80mm, L & XL 90mm
Grips	Whyte Lock-on	Whyte Lock-on	Whyte Lock-on	Whyte Lock-on
Front Brake	Avid Elixir XX World Cup, 180mm Rotor	Avid Elixir 9, 180mm Rotor	Avid Elixir 7, 180mm Rotor	Avid Elixir 3, 180mm Rotor
Rear Brake	Avid Elixir XX World Cup, 160mm Rotor, Direct Mount	Avid Elixir 9, 160mm Rotor, Direct Mount	Avid Elixir 7, 160mm Rotor	Avid Elixir 3, 160mm Rotor
Brake Levers	Avid Elixir XX World Cup Matchmaker	Avid Elixir 9 Matchmaker	Avid Elixir 7 Matchmaker	Avid Elixir 3 Matchmaker
Pedals	None	None	None	None

Specification details were correct at the time of printing. However, product changes may occur after this time. Please check model availability and full specification details with your dealer prior to ordering.

CARBON HT				
Model	Whyte 20-C Works XX	Whyte 20-C Team	Whyte 20-CS	Whyte 20-C
Colour	UD Matt Carbon and Apple Green	UD Matt Carbon with White and Red Decals	UD Matt Carbon and White and Orange Decals	UD Matt Carbon with White and Apple Green Decals
Sizes Available	S, M, L	S, M, L	S, M, L	S, M, L
Frame	Uni-directional Multi Monoque, with Post Mount chainstay mounted disk brake and full carbon dropouts	Uni-directional Multi Monoque, with Post Mount chainstay mounted disk brake and full carbon dropouts	Uni-directional Multi Monoque, with Post Mount chainstay mounted disk brake and full carbon dropouts	Uni-directional Multi Monoque, with Post Mount chainstay mounted disk brake and full carbon dropouts
Fork	Fox F100 Ti FIT, Terralogic, Tapered Steerer, Kashima Coating, Custom Decals	Fox 32 F100 RL FIT Catridge, Performance Series, Remote Lock-out, Tapered Steerer, Custom Decals	RockShox SID RLT, 100mm Travel, Remote Poploc	Rockshox Reba RL, 100mm Travel, Tapered Steerer, Poploc, Remote Lockout
Rear Shock	N/A	N/A	N/A	N/A
Headset	FSA Integrated, Orbit ZS Plus, 1 1/8" - 1 1/2" Sealed Cartridge Bearings	FSA Integrated, Orbit ZS Plus, 1 1/8" - 1 1/2" Sealed Cartridge Bearings	FSA Integrated, Orbit ZS Plus, 1 1/8" - 1 1/2" Sealed Cartridge Bearings	FSA Integrated, Orbit ZS Plus, 1 1/8" - 1 1/2" Sealed Cartridge Bearings
Rear Hub	Easton EC-90, Full Carbon Tubeless Compatible Wheelset	Easton EA-90, UST Tubeless Compatible Wheelset	Easton XCT-70 Custom Wheelset, 6 Bolt, UST Tubeless Compatible	Whyte XC-202 Wheelset, 28 StSt spokes, 6 Bolt hub with double sealed cartridge bearings
Front Hub	Easton EC-90, Full Carbon Tubeless Compatible Wheelset	Easton EA-90, UST Tubeless Compatible Wheelset	Easton XCT-70 Custom Wheelset, 6 Bolt, UST Tubeless Compatible	Whyte XC-202 Wheelset, 24 StSt spokes, 6 Bolt hub, double sealed cartridge bearing
Spokes	Easton Double Butted	Easton EA-90	Easton XCT-70	Stainless Steel Spokes
Rims	Easton EC-90, Full Carbon Tubeless Compatible	Easton EA-90, UST Tubeless Compatible	Easton XCT-70 Custom, UST Tubeless Compatible	Whyte X-C 202
Tyres	Maxxis Aspen 26" x 2.1", DKFW AR 465g	Maxxis Aspen 26" x 2.1", DK60 AR Folding Bead	Continental Race King 26" x 2.2"	Continental Race King 26" x 2.2"
Shift Levers	SRAM XX, 10 Speed	Shimano XTR SL-M980, 10 Speed, Ispc	SRAM X-0, 10 Speed with Discreate Matchmaker Clamp	SRAM X-9, 10 Speed, Custom Green
Front Derailleur	SRAM XX, 10 Speed	Shimano XTR FD-M985, 10 Speed	SRAM X-0, 10 Speed	SRAM X-7, 10 Speed
Rear Derailleur	SRAM XX, 10 Speed	Shimano XTR RD-M980, 10 Speed, Shadow Plus	SRAM X-0 Medium Cage, 10 Speed	SRAM X-9 Carbon Medium Cage, 10 Speed, Custom Green
Cassette	SRAM XX, 11-32T, 10 Speed	Shimano XTR CS-M980, 11-34, 10 Speed	SRAM PG-1070, 11-32, 10 Speed	SRAM PG-1050, 11-32, 10 Speed
Chain	SRAM PC-1030, 10 Speed	FSA Team Issue, 10 Speed	FSA Team Issue, 10 Speed	FSA Team Issue, 10 Speed
Crankset	FSA K-Force, BB-30, 39-27, 10 Speed, Compact Double	FSA SLK Carbon 39-27, 10 Speed, Compact Double	FSA SLK, BB30, 39-27, 10 Speed, Compact Double	FSA Comet PressFit30, 39-27, 10 Speed, Compact Double
Bottom Bracket	FSA PressFit 30	FSA PressFit 30	FSA PressFit30	FSA PressFit 30
Seatpost	FSA K-Force SB0, 27.2mm X 350mm	FSA SLK 27.2mm X 350mm	Whyte Custom 2014 Alloy, 30.9mm x 400mm, 2 bolt clamp	Whyte Custom 2014 Alloy, 30.9mm x 400mm, 2 bolt clamp
Seat	Fi'zi:k Tundra II, Ti Rails	Fi'zi:k Tundra II, Mag Rails	Fi'zi:k Tundra II, Mag Rails	Whyte Custom, triple panel design
Bar	FSA K-Force Light, Flat Nano Carbon, 31.8mm OD, 600mm Wide	FSA SLK Carbon Riser, 31.8mm, 660mm Wide	FSA SLK Carbon Riser, 31.8mm, 660mm Wide	Whyte Custom 2014 Alloy, Low Rise, 710mm Wide
Stem	FSA K-Force Carbon, -6 degree, 90mm S/M, 100mm L	FSA SLK, 80mm S, 90mm M, 100mm L	Whyte Custom, 70mm S/M and 80mm L	Whyte Custom, 70mm S/M and 80mm L
Grips	Whyte Race, Foam Lock-on	Whyte Race, Foam Lock-on	Whyte Race, Foam Lock-on	Whyte Race, Foam Lock-on
Front Brake	SRAM XX, 160mm Rotor	Shimano XTR BL-M985, 160mm Rotor	Avid Elixir 7, Matchmaker, 160mm Rotor	Avid Elixir 3, Matchmaker, 160mm Rotor
Rear Brake	SRAM XX, 160mm Rotor	Shimano XTR BL-M985, 160mm Rotor	Avid Elixir 7, Matchmaker, 160mm Rotor	Avid Elixir 3, Matchmaker, 160mm Rotor
Brake Levers	SRAM XX Carbon Levers	Shimano XTR BL-M985	Avid Elixir 7	Avid Elixir 3
Pedals	None	None	None	N/A

Specification details were correct at the time of printing. However, product changes may occur after this time. Please check model availability and full specification details with your dealer prior to ordering.

	CARBON HT 29ER		TRAIL HT	
Model	Whyte 29er CS	Whyte 29er C	Whyte 19 Ti	Whyte 19 Alloy
Colour	UD Matt Carbon and White and Orange Decals	UD Matt Carbon with White and Apple Green Decals	Brushed Raw Ti	Granite Matt and Gloss Nickel Decals
Sizes Available	18.5", 20.5"	18.5", 20.5"	S, M, L	S, M, L
Frame	Uni-directional Multi Monoque, with Post Mount chainstay mounted disk brake and full carbon dropouts	Uni-directional Multi Monoque, with Post Mount chainstay mounted disk brake and full carbon dropouts	3AL2.5V Aerospace Grade Titanium Alloy, Custom Cold-drawn, Tapered Headtube	6061 Hydro Formed T6 Aluminium, Custom Drawn and Multi Butted, with Press Fit BB Shell, Tapered Headtube and Adjustable Modular Dropouts
Fork	RockShox SID RLt, 100mm Travel, 15mm Maxle Lite, Remote Poploc	Rockshox Reba RL, 100mm Travel, Tapered Steerer, Poploc Remote Lockout	Fox F120RL FIT Cartridge Performance Series, 120mm Travel, QR15 Dropouts, Tapered Steerer Tube	Fox F120 RL Evolution Series, 120mm Travel, QR15 Dropouts and Tapered Steerer Tube
Rear Shock	N/A	N/A	N/A	N/A
Headset	FSA Integrated, Orbit ZS Plus, 1 1/8" - 1 1/2" Sealed Cartridge Bearings	FSA Integrated, Orbit ZS Plus, 1 1/8" - 1 1/2" Sealed Cartridge Bearings	FSA Orbit IITA 1, 1.5" Lower, 1 1.8" Upper Bearing and Alloy Cups, Taper Steerer	FSA Orbit ZS, Sealed Cartridge Bearings, 1.5" Lower, 1 1.8" Upper Bearings
Rear Hub	Easton XCT-70 Wheelset, 6 Bolt, UST Tubeless Compatible	Whyte XC-202 Wheelset, 32 SISI spokes, 6 Bolt hub with double sealed cartridge bearings	Easton XCT-70 Wheelset, UST Tubeless Rims, 15mm	Easton XCT-70 Wheelset, UST Tubeless Rims, 15mm
Front Hub	Easton XCT-70 Wheelset, 6 Bolt, 15mm, UST Tubeless Compatible	Whyte XC-202 Wheelset, 32 SISI spokes, 6 Bolt hub, double sealed cartridge bearing	Easton XCT-70 Wheelset, UST Tubeless Rims, 9mm	Easton XCT-70 Wheelset, UST Tubeless Rims, 9mm
Spokes	Easton XCT-70	Stainless Steel Spokes	Easton XCT-70	Easton XCT-70
Rims	Easton XCT-70, UST Tubeless Compatible	Whyte X-C 202	Easton XCT-70, UST Tubeless Rims	Easton XCT-70, UST Tubeless Rims
Tyres	Continental Race King 29" x 2.2"	Continental Race King 29" x 2.2"	Maxxis Aspen 26" x 2.25" DKFW AR	Maxxis Aspen 26" x 2.25" DK60 AR
Shift Levers	SRAM X-0, 10 Speed with Discreate Matchmaker Clamp	SRAM X-9, 10 Speed, Custom Green	Shimano XTR SL-M980, 10 Speed	SRAM X-9, 10 Speed
Front Derailleur	SRAM X-0, 10 Speed	SRAM X-7, 10 Speed	Shimano XT FD-M7710, 10 Speed	SRAM X-9, 10 Speed
Rear Derailleur	SRAM X-0 Carbon Medium Cage, 10 Speed	SRAM X-9 Carbon Long Cage, 10 Speed, Custom Green	Shimano XTR RD-M985, 10 Speed, Shadow Plus	SRAM X-0 Medium Cage, 10 Speed
Cassette	SRAM PG-1050, 11-36, 10 Speed	SRAM PG-1050, 21-36, 10 Speed	Shimano XT SC-M771, 11-36, 10 Speed	SRAM PG-1070, 12-36, 10 Speed
Chain	FSA Team Issue, 10 Speed	FSA Team Issue, 10 Speed	Shimano CN-HG94, 10 Speed	SRAM PC-1050, 10 Speed
Crankset	FSA SLK PressFit30, 39-27, 10 Speed, Compact Double	SRAM S1000 PressFit30, 22-33-44, 10 Speed, Triple Double	FSA Afterburner Crankset PressFit30, 42-32-24, 10 Speed	FSA Afterburner PressFit, 39-27, 10 Speed, Compact Double
Bottom Bracket	FSA PressFit 30	SRAM PressFit 30	FSA Press Fit BB	FSA Press Fit-30
Seatpost	Whyte Custom 2014 Alloy, 30.9mm x 400mm, 2 bolt clamp	Whyte Custom 2014 Alloy, 30.9mm x 400mm, 2 bolt clamp	Thomson 16 Degree Lay-Back, 30.9mm x 410mm	FSA Afterburner 30.9 X 410mm, 2014 Alloy
Seat	Fi'zi:k Tundra II, Mag Rails	Whyte Custom, triple panel design	Fi'zi:k Gobi XM, Mag Rails	Fi'zi:k Gobi XM, Mag Rails
Bar	FSA SLK Carbon Riser, 31.8mm, 660mm Wide	Whyte Custom 2014 Alloy, Flat, 700mm Wide	Easton Haven Carbon XC Low Rise 711mm Wide, 31.8mm OD	Easton Haven Alloy, Low Rise, 31.8mm, 711mm Wide
Stem	Whyte Custom, -6 Degree, 70mm 18.5" and 80mm 20.5"	Whyte Custom, -6 Degree, 70mm 18.5" and 80mm 20.5"	Thomson Elite X-4, 31.8mm, 70mm S, 80mm M, 90mm L	FSA Afterburner, 80mm S and M, 90mm L
Grips	Whyte Race, Foam Lock-on	Whyte Race, Foam Lock-on	Whyte Custom Lock-on	Whyte Custom Lock-on
Front Brake	Avid Elixir 7, Matchmaker, 180mm Rotor	Avid Elixir 3, Matchmaker, 180mm Rotor	Hope RACE X2, with Hope Tech Levers, 183mm Rotor	Hope X2, with Tech Carbon Levers, 180mm Rotor Rotor
Rear Brake	Avid Elixir 7, Matchmaker, 160mm Rotor	Avid Elixir 3, Matchmaker, 160mm Rotor	Hope RACE X2, with Hope Tech Levers, 160mm Rotor	Hope X2, with Tech Carbon Levers, 160mm Rotor Rotor
Brake Levers	Avid Elixir 7	Avid Elixir 3	Hope RACE Levers	Hope Tech Levers
Pedals	N/A	N/A	None	None

Specification details were correct at the time of printing. However, product changes may occur after this time. Please check model availability and full specification details with your dealer prior to ordering.



	TRAIL HT			XC HT
Model	Whyte 19 Steel	Whyte 905	Whyte 901	Whyte 810
Colour	Chalk Matt with Orange Decals	White Matt with Gloss Black and Nickel Decals	Granite Black Matt with Gloss Lime Green	White Matt with Black and Aqua Decals
Sizes Available	S, M, L	S, M, L, XL	S, M, L, XL	S, M, L
Frame	Reynolds 631 Air Hardening Steel, Custom Drawn and Multi Butted, Tapered Headtube	6061 Hydro Formed T6 Aluminium, Custom Drawn and Multi Butted, with Press Fit BB Shell and Tapered Headtube	6061 Hydro Formed T6 Aluminium, Custom Drawn and Multi Butted, Tapered Headtube	6061 Hydro Formed T6 Aluminium, Custom Drawn and Multi Butted
Fork	Fox 32 F120 RL Evolution Series, 120mm Travel, Tapered Steerer, QR15	RockShox Reba RL, Maxle Light, 120mm Travel, Motion Control Damping with Turn Key Lockout, Tapered Steerer	RockShox Recon TK, Maxle Light 120mm Travel, Solo Air, Adjustable Compression, Tapered Steerer	Fox F100 RL Evolution Series, 100mm Travel, Rebound and Lock-out
Rear Shock	N/A	N/A	N/A	N/A
Headset	FSA Orbit IIA 1, 1.5" Lower, 1.1.8" Upper Bearing Cup	FSA Orbit ZS, Sealed Cartridge Bearings, 1.5" Lower, 1.1.8" Upper Bearings	FSA Orbit ZS, Sealed Cartridge Bearings, 1.5" Lower, 1.1.8" Upper Bearings	FSA Semi Integrated, 1 1/8" Sealed Cartridge Bearings
Rear Hub	Hope EVO, 32 Hole with Shimano XT QR	Hope EVO Disc, 32 Hole with Shimano XT QR	Alloy, Double Sealed Bearing Hub, 32 Hole	Whyte XC-202 Wheelset, 28 SIS flat spokes, 6 Bolt hub with double sealed cartridge bearings
Front Hub	Alloy, Sealed Bearings with Shimano QR	Alloy, Double Sealed Bearing Hub 15mm, 32 Hole	Alloy, Double Sealed Bearing Hub 15mm Through Axle, 32 Hole	Whyte XC-202 Wheelset, 24 SIS flat spokes, 6 Bolt hub, double sealed cartridge bearing
Spokes	DT Competition Butted 15g/14g, Black Stainless with Brass Nipples	DT Competition Butted 15g/14gmm, Black Stainless with Brass Nipples	WTB 15g, Black Stainless with Brass Nipples	Stainless Steel Spokes
Rims	Mavic XM 319, 32 Hole	Mavic XM 319, 32 Hole	Mavic XM 119 Disc Noir, 32 Hole	Whyte XC-202
Tyres	Maxxis Aspen 26" x 2.25", DK60 AR Folding Bead	Maxxis Aspen 26" x 2.25", DK60 AR Folding Bead	Continental Mountain King Fold 26" x 2.2"	Continental Race King Fold 26" x 2.2"
Shift Levers	Shimano Deore SL-M591, 10 Speed	SRAM X-7, 10 Speed	SRAM X-5, 10 Speed	Shimano SL-M660 SLX, 10 Speed
Front Derailleur	Shimano Deore FD-M590	SRAM X-7, 10 Speed	SRAM X-5, 10 Speed	Shimano FD-M786 XT, 10 Speed
Rear Derailleur	Shimano SLX RD-663	SRAM X-9, 10 Speed	SRAM X-9 Long Cage, 10 Speed, Custom Colour	Shimano RD-M780, 10 Speed
Cassette	Shimano CS-HG62, 11-36	SRAM PG-1050, 12-36, 10 Speed	SRAM PG-1030, 12-36, 10 Speed	Shimano CS-HG81, 11-36, 10 Speed
Chain	Shimano CN-HG54	SRAM PC-1050	SRAM PC-1030, 10 Speed	Shimano HG-54, 10 Speed
Crankset	Shimano SLX RD-66010, 42-32-24T, Hollow Tech II	SRAM X9 Press Fit-30, 26-39, 10 Speed, Compact Double	SRAM FC S1000, GXP, 39-26, 10 Speed, Double Compact	Shimano FC-M785 38-26 Compact Double, 10 Speed
Bottom Bracket	Hollow Tech II	SRAM Press Fit-30	SRAM GXP	Hollowtech II
Seatpost	Whyte 20mm Offset, 30.9mm x 400mm, 2014 Alloy, 2 Bolt Clamp	Whyte 20mm Offset, 30.9mm x 400mm, 2014 Alloy, 2 Bolt Clamp	Whyte 20mm Offset, 30.9mm x 400mm, 2014 Alloy, 2 Bolt Clamp	Whyte 20mm Offset, 30.9mm x 400mm, 2014 Alloy, 2 Bolt Clamp
Seat	Fi'zi:k Gobi XM, Mag Rails	Fi'zi:k Gobi XM, Mag Rails	Whyte Custom, Triple Panel Design	Whyte Custom, Triple Panel Design
Bar	Whyte Custom 2014 Alloy, Low Rise, 710mm Wide	Whyte Custom 2014 Alloy, Low Rise, 710mm Wide	Whyte Custom 2014 Alloy, Low Rise, 710mm Wide	Whyte Custom 2014 Alloy, Low Rise, 710mm Wide
Stem	Whyte Custom, 70mm S, 80mm M, 90mm L and XL	Whyte Custom, 70mm S, 80mm M, 90mm L and XL	Whyte Custom, 70mm S, 80mm M, 90mm L and XL	Whyte Custom, 70mm S, 70mm M, 80mm L and XL
Grips	Whyte Custom Lock-on	Whyte Custom Lock-on	Whyte Custom Lock-on	Whyte Custom Lock-on
Front Brake	Avid Elixir 5, 180mm Rotor	Avid Elixir 5, 180mm Rotor	Avid Elixir 3, 180mm Rotor	Shimano BR-M666 SLX, 160mm Rotor
Rear Brake	Avid Elixir 5, 160mm Rotor	Avid Elixir 5, 160mm Rotor	Avid Elixir 3, 160mm Rotor	Shimano BR-M666 SLX, 160mm Rotor
Brake Levers	Avid Elixir 5	Avid Elixir 5	Avid Elixir 3	Shimano BL-M666
Pedals	None	None	None	VP Full Alloy with Toe Clip

Specification details were correct at the time of printing. However, product changes may occur after this time. Please check model availability and full specification details with your dealer prior to ordering.

	XC HT			XC HT 29ER
Model	Whyte 809	Whyte 805	Whyte 801	Whyte 829
Colour	White Matt with Apple Green and Black Decals	White Matt with Orange and Black Decals	Jet Black Matt with Red and White Decals	White Matt with Black and Aqua Decals
Sizes Available	S, M, L	S, M, L, XL	S, M, L, XL	18.5", 20.5"
Frame	6061 Hydro Formed T6 Aluminium, Custom Drawn and Multi Butted	6061 Hydro Formed T6 Aluminium, Custom Drawn and Multi Butted	6061 Hydro Formed T6 Aluminium, Custom Drawn and Multi Butted	6061 Hydro Formed T6 Aluminium, Custom Drawn and Multi Butted, Tapered Headtube and Adjustable Modular Dropouts
Fork	RockShox Recon Gold RL, 100mm Travel, Solo Air, Adjustable Compression	RockShox XC-30 TK, 100mm Travel, Adjustable Rebound, Turn Key Lockout	RockShox XC 28, 100mm Travel, Adjustable Rebound, Turn Key Lockout	Fox 32 F29 RL Evolution Series, 100mm Travel, Rebound and Lock-out
Rear Shock	N/A	N/A	N/A	N/A
Headset	FSA Semi Integrated, 1 1/8" Sealed Cartridge Bearings	FSA Semi Integrated, 1 1/8" Sealed Cartridge Bearings	FSA Semi Integrated, 1 1/8" Sealed Cartridge Bearings	FSA Orbit ZS, Sealed Cartridge Bearings, 1.5" Lower, 1 1.8" Upper Bearings
Rear Hub	Whyte Alloy Double Sealed 28 Hole	Alloy, Double Sealed Bearing Hub, 32 Hole	Alloy, Double Sealed Bearing Hub, 32 Hole	Whyte XC-202 Wheelset, 32 SFS flat spokes, 6 Bolt hub, double sealed cartridge bearing
Front Hub	Whyte Alloy Double Sealed 28 Hole	Alloy, Double Sealed Bearing Hub, 32 Hole	Alloy, Double Sealed Bearing Hub, 32 Hole	Whyte XC-202 Wheelset, 28 SFS flat spokes, 6 Bolt hub, double sealed cartridge bearing
Spokes	WTB 15g, Black Stainless with Brass Nipples	WTB 1.8mm, Black Stainless with Brass Nipples	WTB 15g, Black Stainless with Brass Nipples	Stainless Steel Spokes
Rims	Whyte XC-202 Rims, 28 Hole	Whyte XC-22, 32 Hole	Whyte XC-20, 32 Hole	Whyte XC-202 29er
Tyres	Continental RACE King Fold 26" x 2.2", Folding	X King 26" x 2.2", Folding	Continental Race King Wire 26" x 2.2"	WTB Bronson 29" X 2.2", DNA Compound, 60 TPI, Folding
Shift Levers	Shimano Deore SL-M951, 10 Speed	SRAM X-5, 10 Speed	Shimano Acera, 9 Speed	Shimano SL-M660 SLX, 10 Speed
Front Derailleur	Shimano Deore FD-M590, 10 Speed	SRAM X-5, 10 Speed	Shimano Acera, 9 Speed	Shimano FD-M786 XT, 10 Speed
Rear Derailleur	Shimano SLX RD-M663, 10 Speed	SRAM X-7, 10 Speed	Shimano Deore RD-M592 Shadow, 9 Speed	Shimano RD-M780 XT, 10 Speed
Cassette	Shimano CS-HG63-10, 12-36, 10 Speed	SRAM PG-1030 11-36, 10 Speed	Shimano HG-20, 11-34, 9 Speed	Shimano CS-HG81 11-36, 10 Speed
Chain	Shimano CN-HG54, 10 Speed	FSA Team Issue, 10 Speed	KMC X9, 9 Speed	Shimano HG-54, 10 Speed
Crankset	Shimano FC-M522, 42-32-24, Octolink, 10 Speed	SRAM FC800, 44-32-22 with Power Spline, 10 Speed	Shimano M391, 44-32-22, 9 Speed	Shimano FC-M785 38-26 Compact Double, 10 Speed
Bottom Bracket	Shimano Octolink	SRAM Power Spline	Shimano BB-ES25 Square Taper	Hollowtech II
Seatpost	Whyte 20mm Offset, 30.9mm x 400mm, 2014 Alloy, 2 Bolt Clamp	Whyte 20mm Offset, 30.9mm x 400mm, 6061 Alloy, 2 Bolt Clamp	Whyte 20mm Offset, 30.9mm x 400mm, 2014 Alloy, 2 Bolt Clamp	Whyte 20mm Offset, 30.9mm x 400mm, 2014 Alloy, 2 Bolt Clamp
Seat	Whyte Custom, Triple Panel Design	Whyte Custom, Triple Panel Design	Whyte Custom	Whyte Custom, Triple Panel Design
Bar	Whyte Low Rise 20mm, 31.8mm, 680mm Wide	Whyte Low Rise 20mm, 31.8mm, 680mm Wide	Whyte Low Rise 20mm, 31.8mm, 680mm Wide	Whyte Custom 2014 Alloy, flat, 700mm Wide
Stem	Whyte Custom, 70mm S, 70mm M, 80mm L	Whyte Custom, 70mm S, 70mm M, 80mm L	Whyte Custom, 70mm S, 70mm M, 80mm L & XL	Whyte Custom, 70mm S, 70mm M, 80mm L
Grips	Whyte Custom Lock-on	Whyte Custom Lock-on	Whyte Custom Lock-on	Whyte Custom Lock-on
Front Brake	Avid Elixir 3, 160mm Rotor	Avid Elixir 1, 160mm Rotor	Tektro Draco, 160mm rotor	Shimano BR-M666 SLX, 180mm Rotor
Rear Brake	Avid Elixir 3, 160mm Rotor	Avid Elixir 1, 160mm Rotor	Tektro Draco, 160mm rotor	Shimano BR-M666 SLX, 160mm Rotor
Brake Levers	Avid Elixir 3	Avid Elixir 1	Tektro Draco	Shimano BL-M666 SLX
Pedals	VP Full Alloy with Toe Clip	VP Composite with Alloy Cage and Toe Clip	VP Composite with Alloy Cage and Toe Clip	VP Full Alloy with Toe Clip

Specification details were correct at the time of printing. However, product changes may occur after this time. Please check model availability and full specification details with your dealer prior to ordering.

	C7 ALL TERRAIN			C7 ALL TERRAIN WOMENS
Model	Whyte Coniston	Whyte Caledonian	Whyte Malvern	Whyte Caledonian Women's
Colour	Satin Granite with Orange	Gloss White with Pacific Blue	Gloss Jet Black with Silver	Gloss White with Silver
Sizes Available	S, M, L	S, M, L	S, M, L	S, M, L
Frame	6061 Hydro Formed T6 Aluminium, Custom Drawn, Multi Butted with Custom Whyte Dropouts	6061 Hydro Formed T6 Aluminium, Custom Drawn, Multi Butted with Custom Whyte Dropouts	6061 Hydro Formed T6 Aluminium, Custom Drawn, Multi Butted with Custom Whyte Dropouts	6061 Hydro Formed T6 Aluminium, Custom Drawn, Multi Butted with Custom Whyte Dropouts
Fork	SR Suntour NRX-S LO Lite, 63mm travel, Hydro Lock-out and Internal Rebound Control, Alloy Upper and Mag Lower legs	SR Suntour NRX-E LO Lite, 63mm travel, Hydro Lockout and Internal Rebound Control	SR Suntour NVX HLO Lite, 63mm travel, Hydro Lockout	SR Suntour NRX-E LO Lite, 63mm travel, Hydro Lockout and Internal Rebound Control
Rear Shock	N/A	N/A	N/A	N/A
Headset	FSA Semi Integrated, 1 1/8" Sealed Cartridge Bearings	FSA Semi Integrated, 1 1/8" Sealed Cartridge Bearings	FSA Semi Integrated, 1 1/8" Sealed Cartridge Bearings	FSA Semi Integrated, 1 1/8" Sealed Cartridge Bearings
Rear Hub	SRAM 506 Alloy, Double Sealed Bearing Hub, 32 Hole	Alloy, Double Sealed Bearing Hub, 32 Hole	Alloy, Double Sealed Bearing Hub, 32 Hole	Alloy, Double Sealed Bearing Hub, 32 Hole
Front Hub	SRAM 506 Alloy, Double Sealed Bearing Hub, 32 Hole	Alloy, Double Sealed Bearing Hub, 32 Hole	Alloy, Double Sealed Bearing Hub, 32 Hole	Alloy, Double Sealed Bearing Hub, 32 Hole
Spokes	WTB 15g/14g Black Stainless with Brass Nipples	WTB 15g, Black Stainless with Brass Nipples	WTB 15g, Silver Stainless with Brass Nipples	WTB 15g, Black Stainless with Brass Nipples
Rims	WTB SX-17 700c, 32 Hole with Eyelets	WTB SX-17 700c, 32 Hole, with eyelets	WTB SX-17 700c, 32 Hole, with eyelets	WTB SX-17 700c, 32 Hole, with eyelets
Tyres	WTB All Terrain Comp 700 x 35c, Folding with Flat Guard and Reflective Sidewall and Flat Guard	WTB All Terrain Comp 700 x 35c, with Flat Guard	WTB All Terrain Comp 700 x 35c with Flat Guard	WTB All Terrain Comp 700 x 35c, Folding with Flat Guard
Shift Levers	Shimano Deore, 9 Speed	Shimano Alivio, 9 Speed	Shimano Acera, 9 Speed	Shimano Alivio, 9 Speed
Front Derailleur	Shimano Deore, 9 Speed	Shimano Acera, 9 Speed	Shimano Acera, 9 Speed	Shimano Deore, 9 Speed
Rear Derailleur	Shimano XT Shadow, 9 Speed	Shimano SLX Shadow, 9 Speed	Shimano Alivio, 9 Speed	Shimano Deore Shadow, 9 Speed
Cassette	Shimano Deore, 11-32, 9 Speed	Shimano Deore HG-50, 11-32, 9 Speed	Shimano Alivio HG-30, 11-32, 9 Speed	Shimano Deore HG-50, 11-32, 9 Speed
Chain	Shimano HG-53	Shimano HG-53	Shimano HG-53	Shimano HG-53
Crankset	Shimano M660 SLX, Hollow Tech II, 48-36-26, 9 Speed	Shimano Deore M431, 48-36-26, Octalink	Shimano M430 Acera, 48-36-26	Shimano Deore M431, 48-36-26, Octalink
Bottom Bracket	Hollow Tech II	Shimano ES-25 Octalink	Square Taper	Shimano ES-25 Octalink
Seatpost	Whyte 20mm Offset, 30.9mm x 400mm, 2014 Alloy, 2 bolt clamp	Whyte 20mm Offset, 30.9mm x 400mm, 6061 Alloy, 2 bolt clamp	Whyte 20mm Offset, 30.9mm x 400mm, 6061 Alloy, With 2 Bolt Clamp	Whyte 20mm Offset, 30.9mm x 400mm, 6061 Alloy, 2 bolt clamp
Seat	Whyte Custom, triple panel design	Whyte Custom, triple panel design	Whyte Custom, triple panel design	Whyte Custom Womens Fit, triple panel design With Snake Skin effect
Bar	Whyte High Rise 30mm, 31.8mm, 620mm Wide	Whyte High Rise 30mm, 31.8mm, 620mm Wide	Whyte High Rise 30mm, 31.8mm, 620mm Wide	Whyte High Rise 30mm, 31.8mm, 620mm Wide
Stem	Whyte Custom, 70mm S, 80mm M, 90mm L	Whyte Custom, 70mm S, 80mm M, 90mm L	Whyte Custom, 70mm S, 80mm M, 90mm L	Whyte Custom, 70mm S, 80mm M, 90mm L
Grips	Whyte Custom Daul Density Comfort Lock-on	Whyte Custom Daul Density Comfort Lock-on	Whyte Custom Daul Density Comfort Lock-on	Whyte Custom Daul Density Comfort Lock-on
Front Brake	Avid Elixir 1, 160mm Rotor	Hayes Dyno Comp, 160mm Rotor	Tektro Draco, 160mm Rotor	Hayes Dyno Comp, 160mm Rotor
Rear Brake	Avid Elixir 1, 160mm Rotor	Hayes Dyno Comp, 160mm Rotor	Tektro Draco, 160mm Rotor	Hayes Dyno Comp, 160mm Rotor
Brake Levers	Avid Elixir 1	Hayes Dyno Comp	Tektro Draco	Hayes Dyno Comp
Pedals	VP Full Alloy with Toe Clip	VP Composite with Alloy Cage and Toe Clip	VP Composite with Toe Clip	VP Composite with Alloy Cage and Toe Clip

Specification details were correct at the time of printing. However, product changes may occur after this time. Please check model availability and full specification details with your dealer prior to ordering.



	C7 ALL TERRAIN WOMENS	CYCLO CROSS		
Model	Whyte Malvern Women's	Whyte Saxon Cross	Whyte Charing Cross	Whyte Kings Cross
Colour	Gloss Jet Black with Aqua	Granite / White Gloss with Red Decals	Granite Black Matt with White and Orange Decals	Granite Matt with White and Aqua Decals
Sizes Available	S, M, L	51cm, 53cm, 55cm, 57cm	51cm, 53cm, 55cm, 57cm	51cm, 53cm, 55cm, 57cm
Frame	6061 Hydro Formed T6 Aluminium, Custom Drawn, Multi Butted with Custom Whyte Dropouts	6061 Hydro Formed T6 Aluminium, Custom Drawn, Multi Butted with Post Mount Disk mount	6061 Hydro Formed T6 Aluminium, Custom Drawn, Multi Butted with Post Mount Disk mount	6061 Hydro Formed T6 Aluminium, Custom Drawn, Multi Butted with Post Mount Disk mount
Fork	SR Suntour NVX HLO Lite, 63mm travel, Hydro Lockout	Straight Bladed Full Carbon Front Fork with Tapered Alloy Steerer, with Post Mount Dropouts	Straight Bladed Carbon Front Fork, with Eyelets, Post Mount disk mount, Tapered Steerer	Straight Bladed Alloy Front Fork, with Eyelets, Post Mount disk mount, Tapered Steerer
Rear Shock	N/A	N/A	N/A	N/A
Headset	FSA Semi Integrated, 1 1/8" Sealed Cartridge Bearings	FSA Integrated Road, 1 1/2" lower and 1 1/8" upper Sealed Cartridge Bearings	FSA Integrated Road, 1 1/2" lower and 1 1/8" upper Sealed Cartridge Bearings	FSA Integrated Road, 1 1/2" lower and 1 1/8" upper Sealed Cartridge Bearings
Rear Hub	Alloy, Double Sealed Bearing Hub, 32 Hole	Whyte Alloy Double Sealed with Cartridge Bearings, 32 Hole	Alloy, Double Sealed Cartridge Bearing Hub, 32 Hole	Alloy, Double Sealed Bearing Hub, 32 Hole
Front Hub	Alloy, Double Sealed Bearing Hub, 32 Hole	Whyte Alloy Double Sealed with Cartridge Bearings, 28 Hole	Alloy, Double Sealed Cartridge Bearing Hub, 28 Hole	Alloy, Double Sealed Bearing Hub, 28 Hole
Spokes	WTB 15g, Silver Stainless with Brass Nipples	DT Competition 14g/15g Double Butted Black SST	WTB 15g, Black Stainless with Brass Nipples	WTB PG 15g, Black Stainless with Brass Nipples
Rims	WTB SX-17 700c, 32 Hole, with eyelets	Alex CXD-26 Cross Rim, Disk Specific, 28/32 Hole	Alex Black Dragon 24, Deep Section, Disk Specific Road, 32 Hole Rear and 28 Front	Alex Black Dragon 24, Deep Section, Disk Specific Road, 32 Hole Rear and 28 Front
Tyres	WTB All Terrain Comp 700 x 35c with Flat Guard	Maxxis Raze CX Tyre, 700 x 33c, Black	Maxxis Detonator, 700 x 28c, Black, with Puncture Protection, Folding	Maxxis Detonator, 700 x 28c, Grey, with Puncture Protection
Shift Levers	Shimano Acera, 9 Speed	SRAM Apex 10 Speed	Shimano ST-4600 Tiagra, 10 Speed	Shimano ST-3400 SORA, 9 Speed
Front Derailleur	Shimano Acera, 9 Speed	SRAM Apex, 10 Speed	Shimano FD-4600 Tiagra, 10 Speed	Shimano FD-3400 SORA, 9 Speed
Rear Derailleur	Shimano Alivio, 9 Speed	SRAM Rival, 10 Speed	Shimano RD-4600 Tiagra, 10 Speed	Shimano RD-3400 SORA, 9 Speed
Cassette	Shimano Alivio HG-30, 11-32, 9 Speed	SRAM PG-1050, 11-28, 10 Speed	Shimano CS-4600 11-30, 10 Speed	SRAM PG-950, 11-28, 9 Speed
Chain	Shimano HG-53	SRAM PC-1031	Shimano CN-4601 Tiagra, 10 Speed	Shimano HG53, 9 Speed
Crankset	Shimano M430 Acera, 48-36-26	FSA Gossamer Pro Cross PF-386, 36-46, 10 Speed, Compact Double	FSA Gossamer Cross 36-46, 10 Speed, Compact Double	FSA Vero Cross, 36-46, 9 Speed, Compact Double
Bottom Bracket	Square Taper	FSA PF-386	FSA Mega Exo	FSA Square Taper
Seatpost	Whyte 20mm Offset, 30.9mm x 400mm, 6061 Alloy, 2 bolt clamp	Whyte 20mm Offset, 27.2mm x 350mm, 2014 Alloy, 2 Bolt Clamp	Whyte 20mm Offset, 27.2mm x 350mm, 2014 Alloy, 2 Bolt Clamp	Whyte 20mm Offset, 27.2mm x 350mm, 2014 Alloy, 2 Bolt Clamp
Seat	Whyte Custom Womens Fit, triple panel design With Snake Skin effect	Whyte Custom, Light Weight Triple Density Base, Triple Panel Design	Whyte Custom, Triple Panel Design	Whyte Custom, Triple Panel Design
Bar	Whyte High Rise 30mm, 31.8mm, 620mm Wide	FSA Gossamer Ergo, 460mm Wide	Whyte Cross, 31.8mm, Compact Style Drop Bar, 440mm Wide	Whyte Cross, 31.8mm, Compact Style Drop Bar, 440mm Wide
Stem	Whyte Custom, 70mm S, 80mm M, 90mm L	Whyte -6 Deg, 70mm 51, 80mm 53, 90mm 55 & 57	Whyte 6 Deg, 70mm 51, 80mm 53, 90mm 55 & 57	Whyte 6 Deg, 70mm 51, 80mm 53, 90mm 55 & 57
Grips	Whyte Custom Daul Density Comfort Lock-on	Whyte Anti Slip, Cross Bar Tapes	Whyte Anti Slip, Cross Bar Tapes	Whyte Anti Slip, Cross Bar Tapes
Front Brake	Tektro Draco, 160mm Rotor	AVID BB-7 Mech, 160mm Rotor	AVID BB-5 Mech, 160mm Rotor	Tektro Lyra Mech, 160mm Rotor
Rear Brake	Tektro Draco, 160mm Rotor	AVID BB-7 Mech, 160mm Rotor	AVID BB-5 Mech, 160mm Rotor	Tektro Lyra Mech, 160mm Rotor
Brake Levers	Tektro Draco	SRAM Apex	Shimano ST-4600	Shimano ST-3400 SORA
Pedals	VP Composite with Toe Clip	None	Full Alloy with Toe Clip	Composite with Alloy Cage and Toe Clip

Specification details were correct at the time of printing. However, product changes may occur after this time. Please check model availability and full specification details with your dealer prior to ordering.

R7 FAST URBAN				
Model	Whyte Montpellier	Whyte Stirling	Whyte Cambridge	Whyte Portobello
Colour	Granite Black Matt with Aqua	Granite Black Mat with Orange Decals	White Matt with Aqua Decals	Granite Black Matt with Apple Green
Sizes Available	S, M, L, XL	S, M, L, XL	S, M, L, XL	S, M, L, XL
Frame	6061 Hydro Formed T6 Aluminium, Custom Drawn, Multi Butted with Press Fit BB Shell	6061 Hydro Formed T6 Aluminium, Custom Drawn, Multi Butted with Custom Whyte Dropouts	6061 Hydro Formed T6 Aluminium, Custom Drawn, Multi Butted with Custom Whyte Dropouts	6061 Hydro Formed T6 Aluminium, Custom Drawn, Multi Butted with Custom Whyte Dropouts
Fork	Straight Bladed Full Carbon Front Fork and Steerer	Straight Bladed Carbon Front Fork with Alloy Steerer Tube, Double Eyelets and Low Rider Bosses	Straight Bladed Carbon Front Fork, with Double Eyelets and Low Rider Bosses	Straight Bladed 6061 Alloy T6 Front Fork, with Double Eyelets and Low Rider Bosses
Rear Shock	N/A	N/A	N/A	N/A
Headset	FSA Integrated Road, 1 1/8" Sealed Cartridge Bearings, 41mm Diameter	FSA Integrated Road, 1 1/8" Sealed Cartridge Bearings, 41mm Diameter	FSA Integrated Road, 1 1/8" Sealed Cartridge Bearings, 41mm Diameter	FSA Integrated Road, 1 1/8" Sealed Cartridge Bearings, 41mm Diameter
Rear Hub	Hope EVO, with Stainless Steel bearings, 32 Hole	Alloy, Double Sealed Cartridge Bearing Hub, 32 Hole	Alloy, Double Sealed Bearing Hub, 32 Hole	Alloy, Double Sealed Bearing Hub, 32 Hole
Front Hub	Hope EVO, with Stainless Steel bearings, 28 Hole	Alloy, Double Sealed Cartridge Bearing Hub, 28 Hole	Alloy, Double Sealed Bearing Hub, 28 Hole	Alloy, Double Sealed Bearing Hub, 28 Hole
Spokes	DT Competition, 15g/14g Black Stainless with Brass Nipples	DT Competition, 15g/14g Black Stainless with Brass Nipples	WTB PG 15g, Black Stainless with Brass Nipples	WTB PG 15g, Black Stainless with Brass Nipples
Rims	Alex Black Dragon 24, Deep Section, Disk Specific Road, 32 Hole Rear and 28 Front	Alex Black Dragon 24, Deep Section, Disk Specific Road, 32 Hole Rear and 28 Front	Alex Black Dragon 24, Deep Section, Disk Specific Road, 32 Hole Rear and 28 Front	Alex Black Dragon 24, Deep Section, Disk Specific Road, 32 Hole Rear and 28 Front
Tyres	Maxxis Detonator, 700 x 28c, Grey, Folding with Puncture Protection	Maxxis Detonator, 700 x 28c, Grey, Folding with Puncture Protection	Maxxis Detonator, 700 x 28c, Grey, Folding with Puncture Protection	Maxxis Detonator, 700 x 28c, Black, with Puncture Protection
Shift Levers	SRAM SL700, 10 Speed	SRAM SL700, 10 Speed	SRAM X-5, 10 Speed	Shimano SL-R440, 9 Speed
Front Derailleur	SRAM APEX	SRAM APEX, 10 Speed	SRAM APEX, 10 Speed	Shimano R440, 9 Speed
Rear Derailleur	SRAM Rival 10 Speed	SRAM Rival, 10 Speed	SRAM APEX, 10 Speed	Shimano Sora, 9 Speed
Cassette	SRAM PG-1050, 11-32, 10 Speed	SRAM PG-1050, 11-32, 10 Speed	SRAM APEX PG-1050, 11-32, 10 Speed	SRAM PG-950, 11-28 9 Speed
Chain	SRAM PC-1050	SRAM PC-1030, 10 Speed	SRAM PC-1030, 10 Speed	Shimano HG-53
Crankset	FSA Gossamer, 34-50, 10 Speed, Compact	SRAM APEX, 34-50, 10 Speed, Compact	FSA Omega, 34-50, 10 Speed, Compact	FSA Tempo 34-50, 9 Speed, Compact
Bottom Bracket	SRAM Press Fit	SRAM GXP	FSA MegaExo	FSA Square Taper
Seatpost	Whyte 20mm Offset, 27.2mm x 350mm, 2014 Alloy, 2 Bolt Clamp	Whyte 20mm Offset, 27.2mm x 350mm, 2014 Alloy, 2 Bolt Clamp	Whyte 20mm Offset, 27.2mm x 350mm, 2014 Alloy, 2 Bolt Clamp	Whyte 20mm Offset, 27.2mm x 350mm, 6061 Alloy, 2 Bolt Clamp
Seat	SR Viper, with Scuff Guards, Snake Skin Cover	SR Viper, with Scuff Guards, Snake Skin Cover	Whyte Custom, Triple Panel Design, Snake Skin Cover	Whyte Custom, Triple Panel Design, Snake Skin Cover
Bar	Whyte Ultra Narrow, 31.8mm, Flat Bar, 580mm Wide	Whyte Ultra Narrow, 31.8mm, 20mm Rise, 580mm Wide	Whyte Ultra Narrow, 31.8mm, 20mm Rise, 580mm Wide	Whyte Ultra Narrow, 31.8mm, 20mm Rise, 580mm Wide
Stem	Whyte, 70mm S, 80mm M, 90mm L & XL	Whyte, 70mm S, 80mm M, 90mm L & XL	Whyte, 70mm S, 80mm M, 90mm L & XL	Whyte, 70mm S, 80mm M, 90mm L & XL
Grips	GP1 Ergon Grip, Dual Density	Whyte Custom Dual Density Lock-on	Whyte Custom Dual Density, Lock-on	Whyte Custom Dual Density, Lock-on
Front Brake	Hope X-2 Race, Matchmaker Clamps	Avid Elixir 1, 160mm Rotor	Hayes Dyno Comp, 160mm Rotor	Pro Max Hornet, Light weight 160mm Rotor
Rear Brake	Hope X-2 Race, Matchmaker Clamps	Avid Elixir 1, 160mm Rotor	Hayes Dyno Comp, 160mm Rotor	Pro Max Hornet, Light weight 160mm Rotor
Brake Levers	Hope X-2 Race	Avid Elixir 1	Hayes Dyno Comp	Pro Max Hornet
Pedals	None	Full Alloy with Toe Clip	Composite with Alloy Cage and Toe Clip	Composite with Alloy Cage and Toe Clip

Specification details were correct at the time of printing. However, product changes may occur after this time. Please check model availability and full specification details with your dealer prior to ordering.



[www.whytebikes.co.uk](http://www.whytebikes.co.uk)







Thanks to,

Rupert Fowler Location Photography  
Mike Davis for some detail photography  
Mike Smith, Billy Whenman, Luke Smith, Neil Halcrow

Most of all thanks to our superb product and design team for a range to be proud of.  
Credit to Ian, Pat, Andy, Ross, Mark, Guy, Tamsin, Neil, Keith and all the others involved.